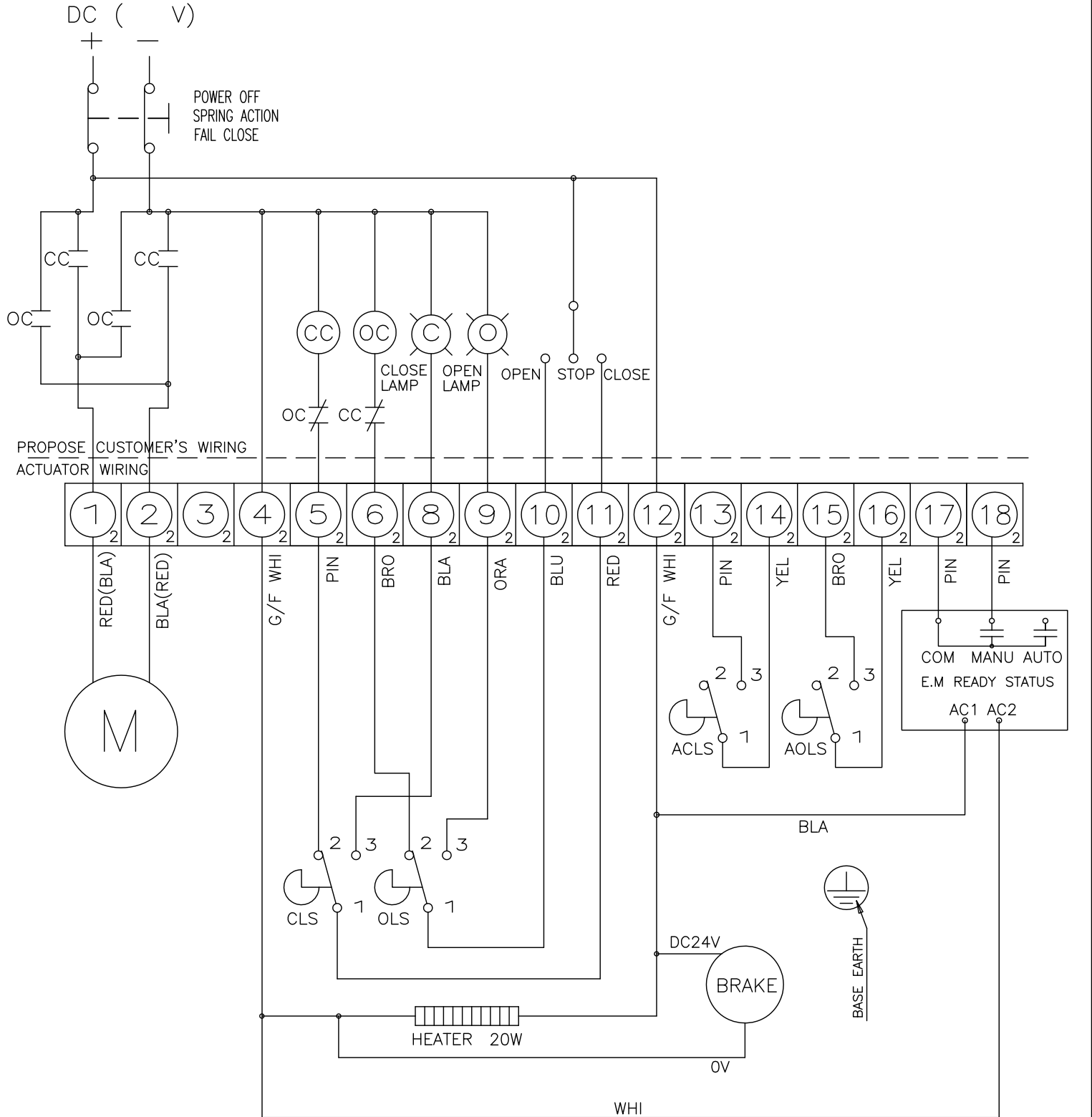


CLS : CLOSE LIMIT SWITCH (250VCA 6A)  
 OLS : OPEN LIMIT SWITCH (250VCA 6A)  
 ACLS : AUX. CLOSE LIMIT SWITCH (250VCA 6A)  
 AOLS : AUX.OPEN LIMIT SWITCH (250VCA 6A)  
 TP : THERMAL PROTECTOR (250VCA 15A)  
 OC : OPEN MAGNET COIL  
 CC : CLOSE MAGNET COIL

|          | CLOSE | OPEN |
|----------|-------|------|
| CLS 1-2  |       |      |
| CLS 1-3  |       |      |
| OLS 1-2  |       |      |
| OLS 1-3  |       |      |
| ACLS 1-2 |       |      |
| ACLS 1-3 |       |      |
| AOLS 1-2 |       |      |
| AOLS 1-3 |       |      |



|             |   |       |           |           |                                 |      |           |
|-------------|---|-------|-----------|-----------|---------------------------------|------|-----------|
|             |   | △     |           |           |                                 |      |           |
|             |   | SYM   | E C N NO  | CHANGES   |                                 | DATE | SIGN APPD |
| SR30        | 1 | DRAW  | H,J KWON  | PART NAME | DC WIRING DIAGRAM<br>FAIL CLOSE |      |           |
| SR10        | 1 | CHECK |           |           |                                 |      |           |
| SR05        | 1 | APPD  |           |           |                                 |      |           |
| APPLICATION |   | DATE  | '13.08,22 | DWG NO.   | RUC-8200-C                      |      |           |