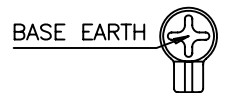
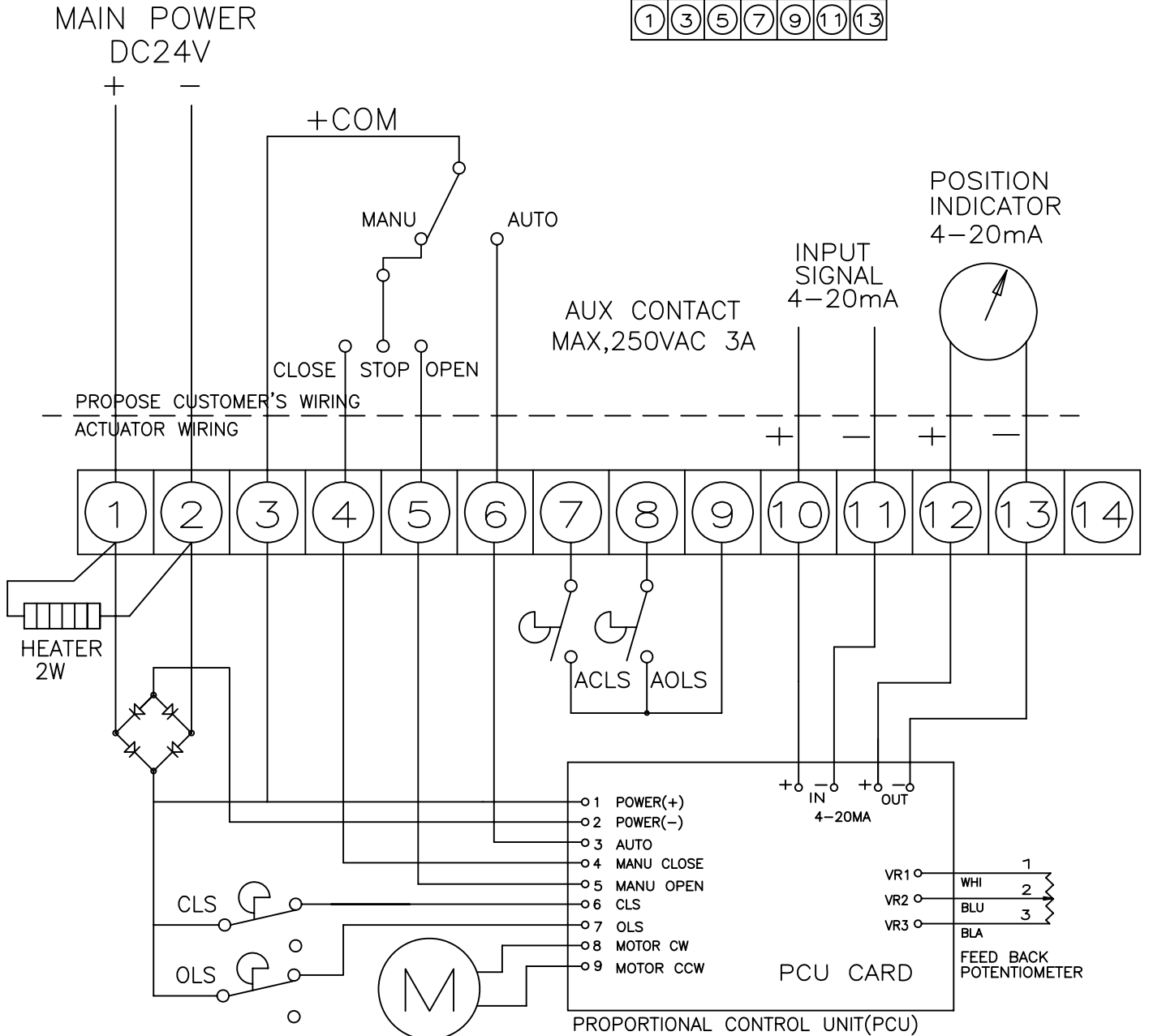


CLS : CLOSE LIMIT SWITCH (250VAC 3A)
 OLS : OPEN LIMIT SWITCH (250VAC 3A)
 ACLS : AUX. CLOSE LIMIT SWITCH (250VAC 3A)
 AOLS : AUX. OPEN LIMIT SWITCH (250VAC 3A)

SWITCH	CLOSE	OPEN
CLS		
OLS		
ACLS		
AOLS		

TERMINAL LAYOUT

②	④	⑥	⑧	⑩	⑫	⑭
①	③	⑤	⑦	⑨	⑪	⑬



	DRAW	H.J KWON	△					
	CHECK		SYM	E C N NO	CHANGES	DATE	SIGN	APPD
	APPD		PART NAME DC WIRING DIAGRAM PCU					
SAO5L 1	DATE	'05.12.12	DWG NO.	ST-82500-A				
APPLICATION								