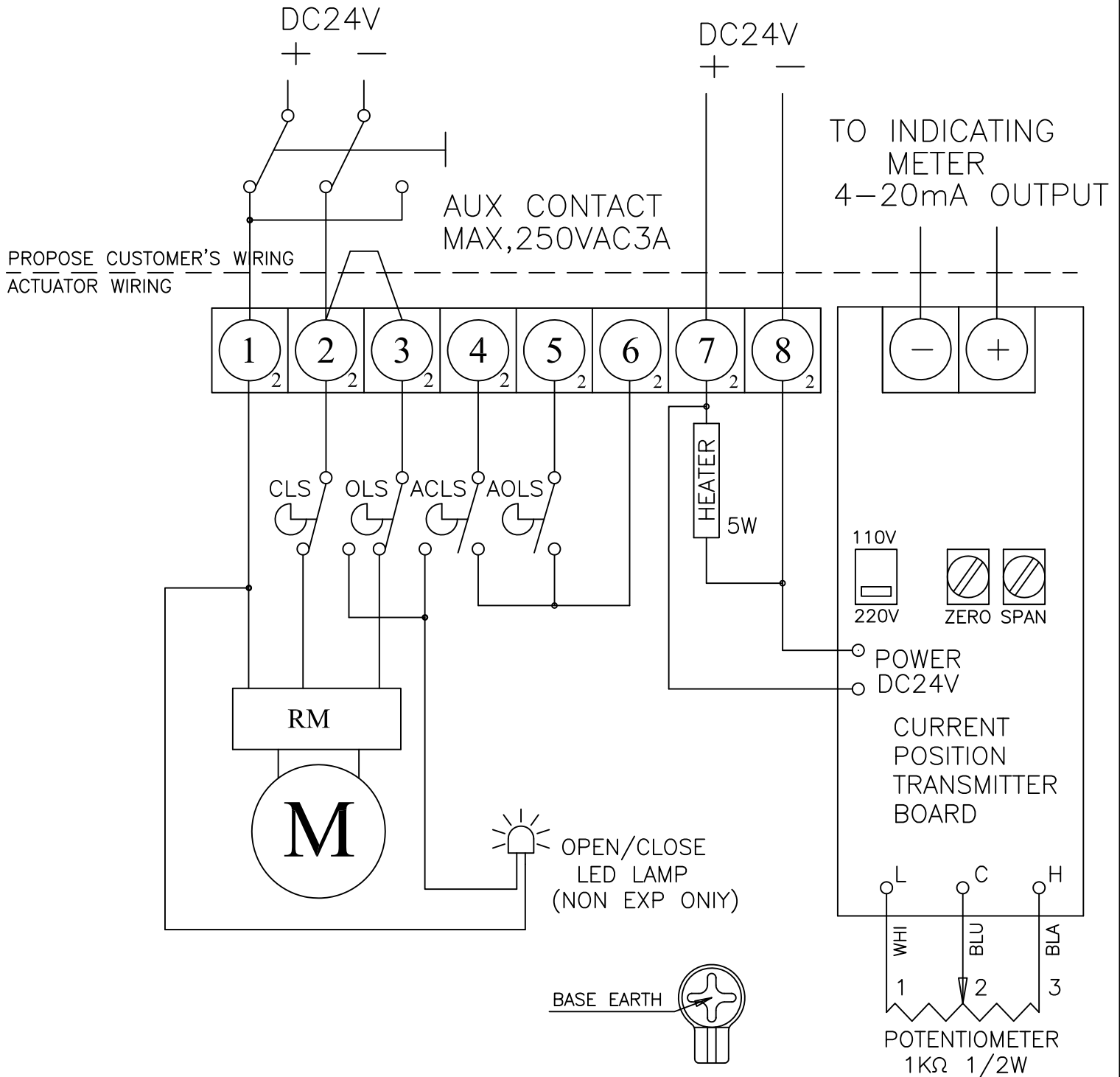


CLS : CLOSE LIMIT SWITCH (250VAC 3A)
 OLS : OPEN LIMIT SWITCH (250VAC 3A)
 ACLS : AUX. CLOSE LIMIT SWITCH (250VAC 3A)
 AOLS : AUX. OPEN LIMIT SWITCH (250VAC 3A)
 TP : THERMAL PROTECTOR
 RM : MOTOR REGULATION

SWITCH	CLOSE	OPEN
CLS		
OLS		
ACLS		
AOLS		



				△				
				SYM	E C N NO	CHANGES	DATE	SIGN APPD
				DRAW	H,J KWON	PART NAME	DC24V WIRING DIAGRAM	
SA09L 1	SA09X 1	CHECK		ALS,PIU,CPT				
SA05L 1	SA05X 1	APPD						
APPLICATION				DATE	'07.10.16	DWG NO.	ST-82800-B	