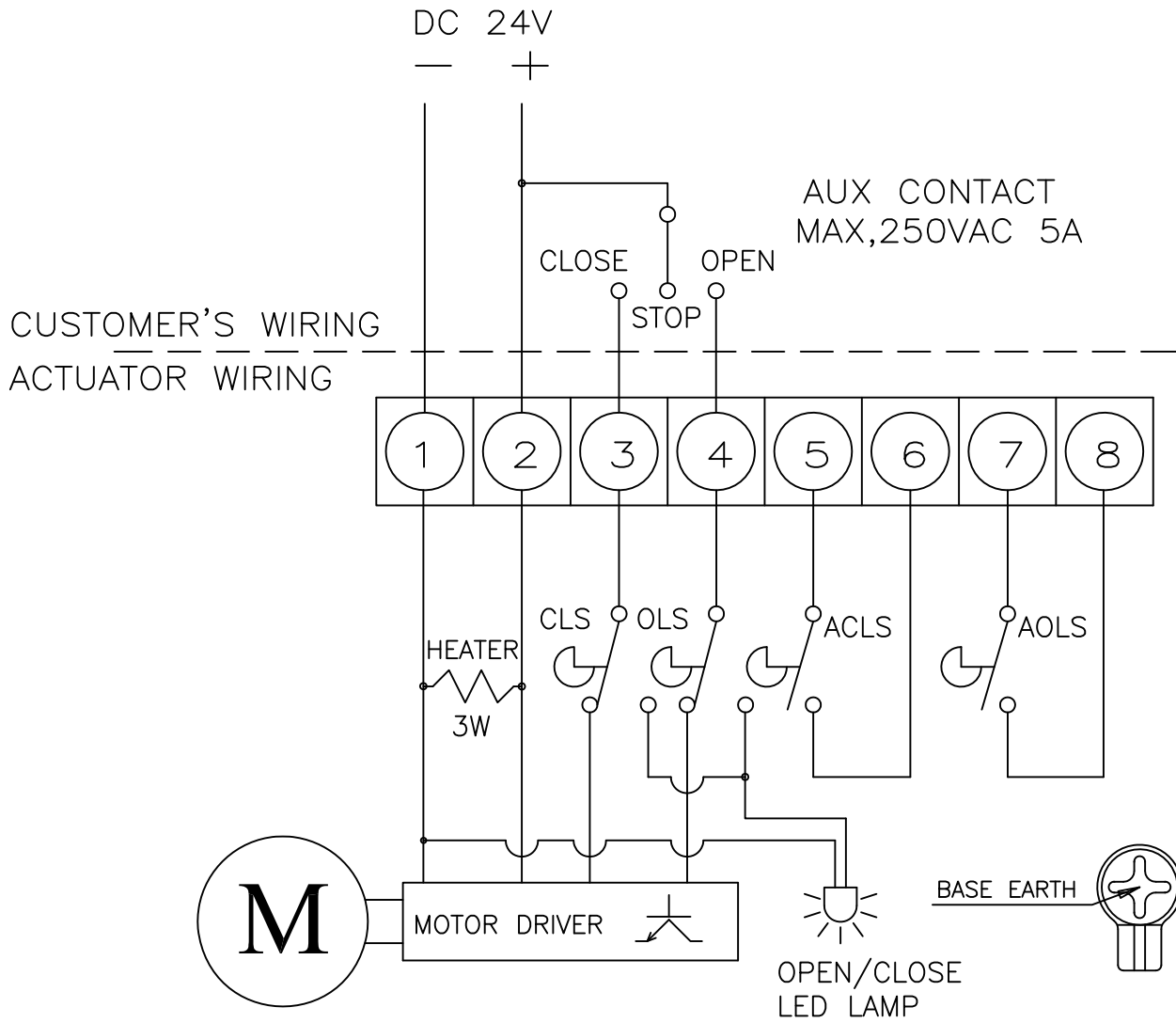


CLS : CLOSE LIMIT SWITCH (250VAC 5A / 125VDC 0.4A)
 OLS : OPEN LIMIT SWITCH (250VAC 5A / 125VDC 0.4A)
 ACLS : AUX. CLOSE LIMIT SWITCH (250VAC 5A / 125VDC 0.4A)
 AOLS : AUX. OPEN LIMIT SWITCH (250VAC 5A / 125VDC 0.4A)

SWITCH	CLOSE	OPEN
CLS	_____	_____
OLS	_____	_____
ACLS	_____	_____
AOLS	_____	_____



			△					
			SYM	E C N NO	CHANGES	DATE	SIGN	APPD
			DRAW	H,J KWON	PART NAME	DC24V WIRING DIAGRAM		
			CHECK			ALS		
SA03	1		APPD		DWG NO.	SU-82000-A		
APPLICATION			DATE	'11.02.23				