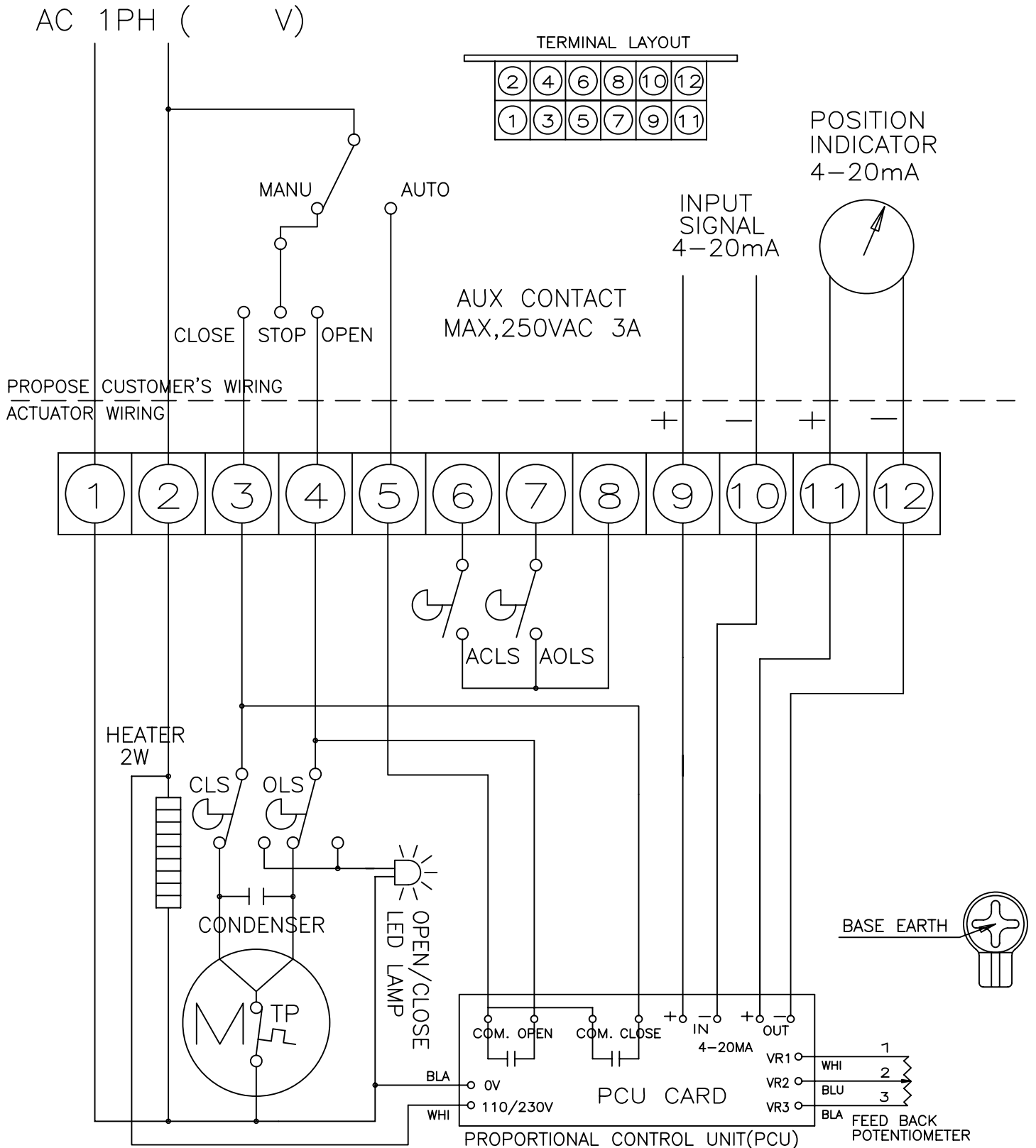


CLS : CLOSE LIMIT SWITCH (250VAC 3A)
 OLS : OPEN LIMIT SWITCH (250VAC 3A)
 ACLS : AUX. CLOSE LIMIT SWITCH (250VAC 3A)
 AOLS : AUX. OPEN LIMIT SWITCH (250VAC 3A)
 TP : THERMAL PROTECTOR

SWITCH	CLOSE	OPEN
CLS		
OLS		
ACLS		
AOLS		



			△					
			SYM	E C N NO	CHANGES	DATE	SIGN	APPD
			DRAW	H,J KWON	PART NAME	1PH WIRING DIAGRAM		
			CHECK			ALS,PCU		
SA05L	1		APPD		DWG NO.	ST-12500-A		
APPLICATION			DATE	'05.06.01				