

**NOTES: (SEE INSTALLATION & OPERATION MANUAL LMENIM 3306 FOR DETAILS)**  
CIRCUIT SHOWN WITH VALVE IN FULLY CLOSED POSITION AND WITH POWER OFF.

**1. REMOTE INPUTS**  
SIGNAL THRESHOLD - MINIMUM "ON" 19.2V AC/DC  
MAXIMUM "OFF" 5.0V AC/DC  
MAX LOAD - 10 mA / 110V AC  
2 mA / 24V DC

REQUIRED CONTROL SIGNAL DURATION = 350ms MIN.  
INPUTS 0,1,2 ARE FIELD CONFIGURABLE FOR CLOSE/OPEN INHIBIT, USER INPUT OR ESD. IN ADDITION, INPUT 2 MAY BE CONFIGURED FOR CSE REMOTE SELECTION INDICATION.  
DEFAULT INPUT CONFIGURATION:  
INPUT 0 - ESD,  
INPUT 1 - OPEN INHIBIT,  
INPUT 2 - CLOSE INHIBIT.

**2. REMOTE INPUT JUMPERS**  
JUMPERS CAN BE USER WIRED TO CONNECT DIG COMMONS #1, 2 & 3 (AS NEEDED). THE 3 REMOTE WIRING GROUPS ARE ELECTRICALLY ISOLATED, INTERNALLY. ONLY A SINGLE POWER SOURCE MAY BE USED TO POWER ANY ONE GROUP BUT DIFFERENT SOURCES MAY POWER DIFFERENT GROUPS. IF DIFFERENT SOURCES ARE USED, ENSURE THAT THE POLARITIES ARE CORRECT.

**3. DEFAULT [S] SETTINGS**  
THE DEFAULT OPERATING CONFIGURATION FOR THE "S" OUTPUTS ARE SHOWN IN THE TABLE BELOW. THE CONTACT STATES SHOWN IN THE SCHEMATIC REPRESENT A FULLY CLOSED VALVE.  
SEE OPERATION MANUAL FOR ALTERNATE CONFIGURATIONS.

OUTPUT SWITCH	VALVE POSITION		FUNCTION
	FULL CLOSE	FULL OPEN	
S1a	—	—	CLOSE LIMIT
S1b	—	—	
S2a	—	—	OPEN LIMIT
S2b	—	—	

— OPEN CONTACT  
█ CLOSED CONTACT

**4. MAXIMUM EXTERNAL LOAD**  
TERMINALS 21 AND 22 (24 VDC)  
- 5W MAX. EXT. LOAD

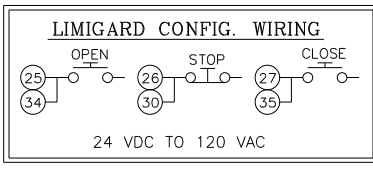
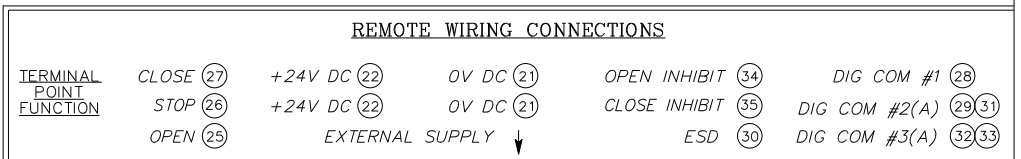
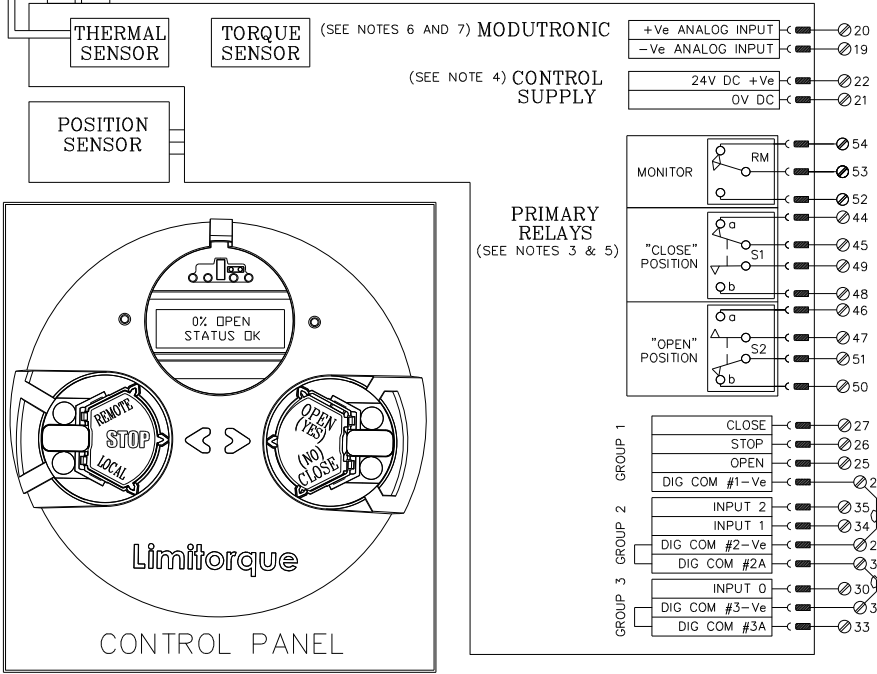
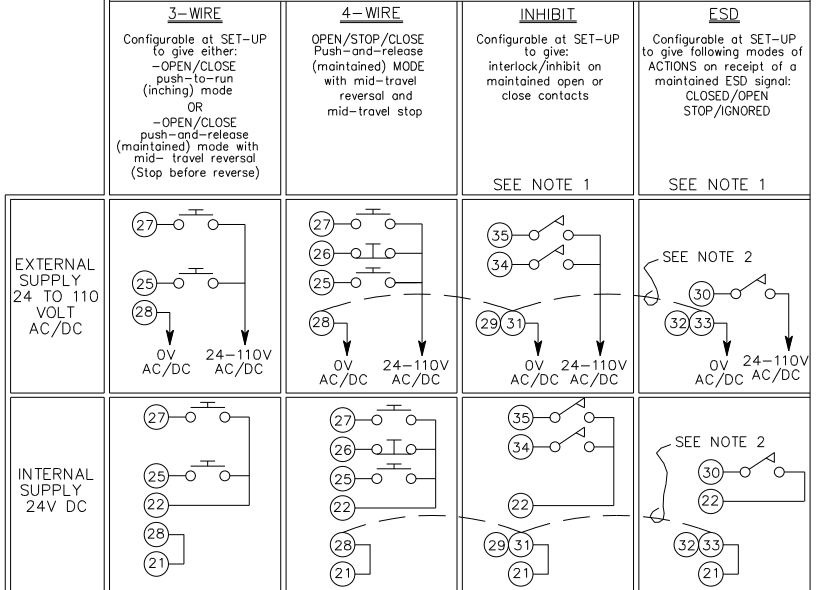
**5. CONTACT RATINGS**  
S1, S2- 0.5 AMP @ 125 VAC, 2 AMPS @ 30 VDC (RESISTIVE)  
MONITOR- 0.5 AMP @ 125 VAC, 2 AMPS @ 30 VDC (RESISTIVE)

**6. COMMAND PRIORITY**  
PLEASE SEE INSTALLATION AND OPERATION MANUAL LMENIM 3306 FOR NETWORK COMMAND PRIORITIES.

**7. INPUT LOADS**  
IMPEDANCE = 150 OHMS  
CAPACITANCE = 0.1 uF 30%  
STANDARD SIGNAL: 4-20 mA

**8. THREE PHASE SUPPLY**  
230 VAC AND BELOW UNITS DRAW POWER ON ALL THREE PHASES. 380 VAC AND ABOVE UNITS DRAW POWER ON L1 AND L2. L3 IS A PARKING TERMINAL FOR INCOMING POWER WHEN MULTIPLE QX UNITS ARE ON THE SAME BRANCH FEEDER, ALTERNATE THE UNUSED PHASE INTO L1 AND L2.

**(-) NEGATIVE COMMON**



<b>DRAWN</b> RAC 11/10/10	<b>DATE</b> 11/10/10	<b>FLOWERVE</b> Limitorque Actuation Systems 5114 WOODALL ROAD, LYNCHBURG, VIRGINIA 24506-1318
<b>CHECKED</b> ZKC 11/12/10	<b>DATE</b> 11/12/10	
<b>APPROVED</b> MAD 11/15/10	<b>DATE</b> 11/15/10	<b>TITLE</b> QX WIRING DIAGRAM No CS 3 Phase High Volt OS, (2) 2A with (1) 2A monitor relay 3Wire_4Wire
<b>UNIT TYPE</b> QX	<b>DWG NO</b> WD-QX-200100-00000	<b>REV/00H</b> SHEET 1 OF 1