

NOTES: (SEE INSTALLATION & OPERATION MANUAL LMENIM 3306 FOR DETAILS)
CIRCUIT SHOWN WITH VALVE IN FULLY CLOSED POSITION AND WITH POWER OFF.

- REMOTE INPUTS**
SIGNAL THRESHOLD - MINIMUM "ON" 19.2V AC/DC
MAXIMUM "OFF" 5.0V AC/DC
MAX LOAD - 10 mA / 110V AC
2 mA / 24V DC
REQUIRED CONTROL SIGNAL DURATION = 350ms MIN.
INPUTS 0,1,2 ARE FIELD CONFIGURABLE FOR CLOSE/OPEN INHIBIT, USER INPUT OR ESD. IN ADDITION, INPUT 2 MAY BE CONFIGURED FOR CSE REMOTE SELECTION INDICATION.
DEFAULT INPUT CONFIGURATION:
INPUT 0 - ESD,
INPUT 1 - OPEN INHIBIT,
INPUT 2 - CLOSE INHIBIT.

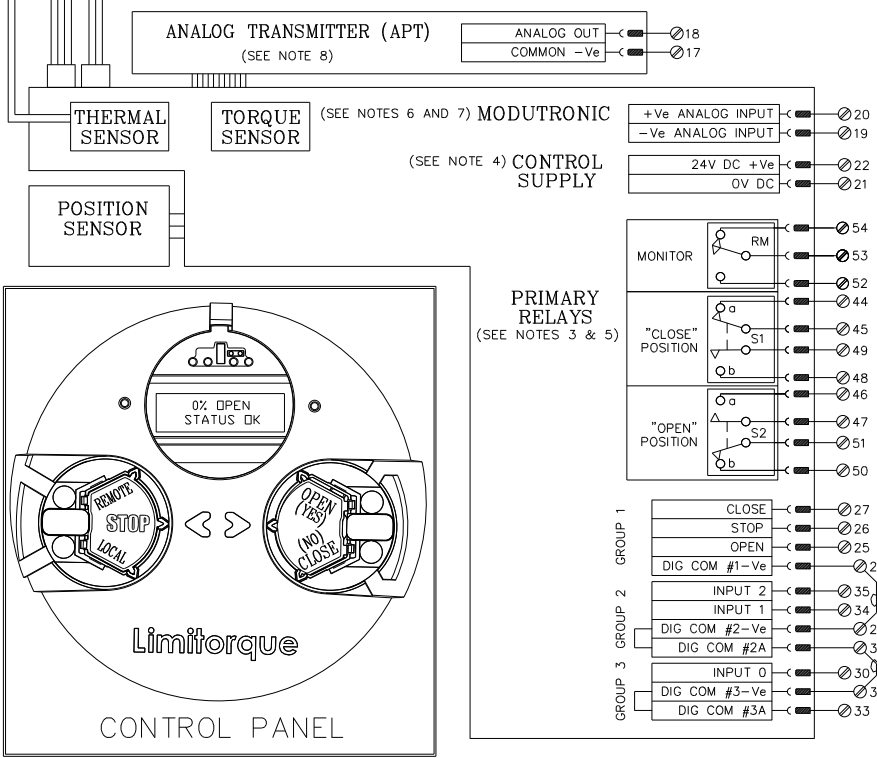
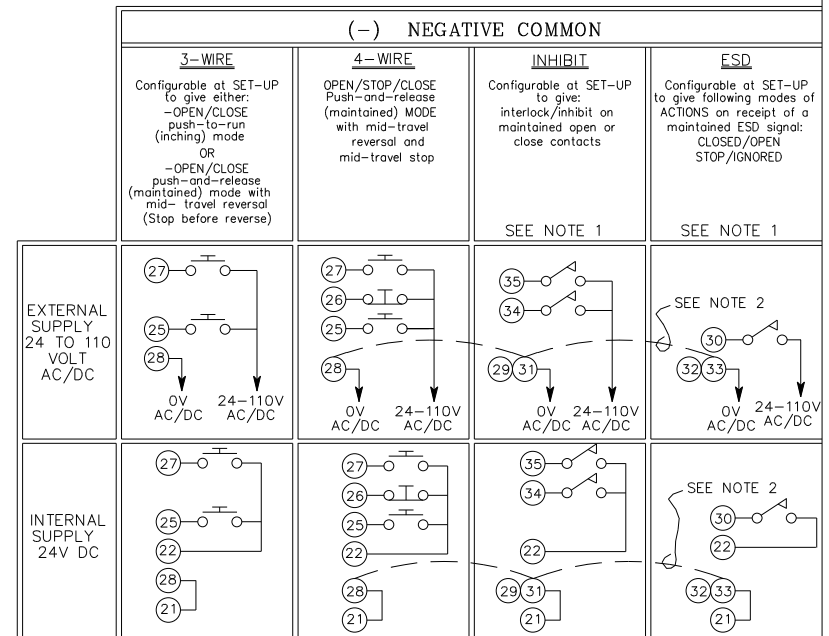
- INPUT LOADS**
IMPEDANCE = 150 OHMS
CAPACITANCE = 0.1 uF 30%
STANDARD SIGNAL: 4-20 mA
- APT OR ATT EXTERNAL LOAD**
4-20 mA OUTPUT SIGNAL - 600 OHMS MAX.
0-10 VDC OUTPUT SIGNAL - 1000 OHMS MAX.
SET JUMPERS JP1 AND JP2 TO POSITION 1-2 ON ANALOG BOARD.
THE 3-PIN CONNECTOR WITH BLUE WIRES SHOULD BE CONNECTED TO J3 ON THE ANALOG BOARD.

- REMOTE INPUT JUMPERS**
JUMPERS CAN BE USER WIRED TO CONNECT DIG COMMONS #1, 2 & 3 (AS NEEDED). THE 3 REMOTE WIRING GROUPS ARE ELECTRICALLY ISOLATED, INTERNALLY. ONLY A SINGLE POWER SOURCE MAY BE USED TO POWER ANY ONE GROUP BUT DIFFERENT SOURCES MAY POWER DIFFERENT GROUPS. IF DIFFERENT SOURCES ARE USED, ENSURE THAT THE POLARITIES ARE CORRECT.
- DEFAULT [S] SETTINGS**
THE DEFAULT OPERATING CONFIGURATION FOR THE "S" OUTPUTS ARE SHOWN IN THE TABLE BELOW. THE CONTACT STATES SHOWN IN THE SCHEMATIC REPRESENT A FULLY CLOSED VALVE. SEE OPERATION MANUAL FOR ALTERNATE CONFIGURATIONS.

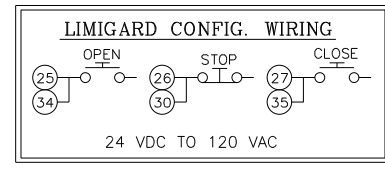
| OUTPUT SWITCH CONTACT DEVELOPMENT | | | |
|-----------------------------------|----------------|-----------|-------------|
| OUTPUT SWITCH | VALVE POSITION | | FUNCTION |
| | FULL CLOSE | FULL OPEN | |
| S1a | — | — | CLOSE LIMIT |
| S1b | — | — | |
| S2a | — | — | OPEN LIMIT |
| S2b | — | — | |

— OPEN CONTACT
█ CLOSED CONTACT

- MAXIMUM EXTERNAL LOAD**
TERMINALS 21 AND 22 (24 VDC)
- 5W MAX. EXT. LOAD
- CONTACT RATINGS**
S1, S2 - 0.5 AMP @ 125 VAC, 2 AMPS @ 30 VDC (RESISTIVE)
MONITOR - 0.5 AMP @ 125 VAC, 2 AMPS @ 30 VDC (RESISTIVE)
- COMMAND PRIORITY**
PLEASE SEE INSTALLATION AND OPERATION MANUAL LMENIM 3306 FOR NETWORK COMMAND PRIORITIES.



| REMOTE WIRING CONNECTIONS | | | | | |
|---------------------------|------------|-------------------|------------|--------------------|-----------------------|
| TERMINAL POINT | CLOSE (27) | +24V DC (22) | 0V DC (21) | OPEN INHIBIT (34) | DIG COM #1 (28) |
| FUNCTION | STOP (26) | +24V DC (22) | 0V DC (21) | CLOSE INHIBIT (35) | DIG COM #2(A) (29,31) |
| | OPEN (25) | EXTERNAL SUPPLY ↓ | | ESD (30) | DIG COM #3(A) (32,33) |



| DRAWN DATE | | RAC 11/10/10 | |
|---------------|--------------|--------------|--------------------|
| CHECKED DATE | ZKC 11/12/10 | TITLE | QX WIRING DIAGRAM |
| APPROVED DATE | MAD 11/15/10 | UNIT TYPE | QX |
| | | DWG NO | WD-QX-000110-00000 |
| | | REV | 000 |
| | | SHEET | 1 OF 1 |

Flowserve Limitorque Actuation Systems
5114 WOODALL ROAD, LYNCHBURG, VIRGINIA 24506-1318

Modutronic No CS
APT (Analog Position Transmitter)
Single Phase Low Volt
OS, (2) 2A with (1) 2A monitor relay
3Wire_4Wire