

NOTES: (SEE INSTALLATION & OPERATION MANUAL LMENIM 3306 FOR DETAILS)

CIRCUIT SHOWN WITH VALVE IN FULLY CLOSED POSITION AND WITH POWER OFF.

1. REMOTE INPUTS

SIGNAL THRESHOLD - MINIMUM "ON" 19.2V AC/DC
 MAXIMUM "OFF" 5.0V AC/DC
 MAX LOAD - 10 mA / 110V AC
 2 mA / 24V DC

REQUIRED CONTROL SIGNAL DURATION = 350ms MIN.

INPUTS 0,1,2 ARE FIELD CONFIGURABLE FOR CLOSE/OPEN INHIBIT, USER INPUT OR ESD. IN ADDITION, INPUT 2 MAY BE CONFIGURED FOR CSE REMOTE SELECTION INDICATION. DEFAULT INPUT CONFIGURATION:
 INPUT 0 - ESD,
 INPUT 1 - OPEN INHIBIT,
 INPUT 2 - CLOSE INHIBIT.

2. REMOTE INPUT JUMPERS

JUMPERS CAN BE USER WIRED TO CONNECT DIG COMMONS #1, 2 & 3 (AS NEEDED). THE 3 REMOTE WIRING GROUPS ARE ELECTRICALLY ISOLATED, INTERNALLY. ONLY A SINGLE POWER SOURCE MAY BE USED TO POWER ANY ONE GROUP BUT DIFFERENT SOURCES MAY POWER DIFFERENT GROUPS. IF DIFFERENT SOURCES ARE USED, ENSURE THAT THE POLARITIES ARE CORRECT.

3. DEFAULT [S] SETTINGS

THE DEFAULT OPERATING CONFIGURATION FOR THE "S" OUTPUTS ARE SHOWN IN THE TABLE BELOW. THE CONTACT STATES SHOWN IN THE SCHEMATIC REPRESENT A FULLY CLOSED VALVE. SEE OPERATION MANUAL FOR ALTERNATE CONFIGURATIONS.

OUTPUT SWITCH	VALVE POSITION		FUNCTION
	FULL CLOSE	FULL OPEN	
S1a	—	—	CLOSE LIMIT
S1b	—	—	
S2a	—	—	
S2b	—	—	OPEN LIMIT

— OPEN CONTACT
 ■ CLOSED CONTACT

4. MAXIMUM EXTERNAL LOAD

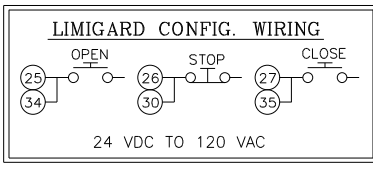
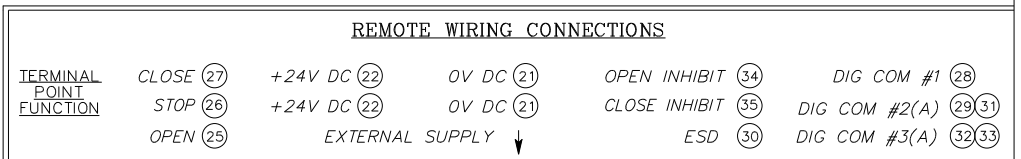
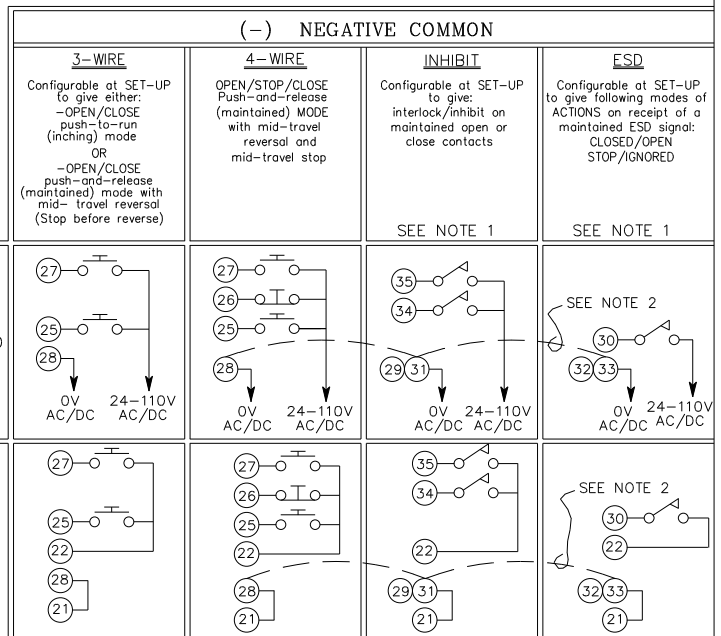
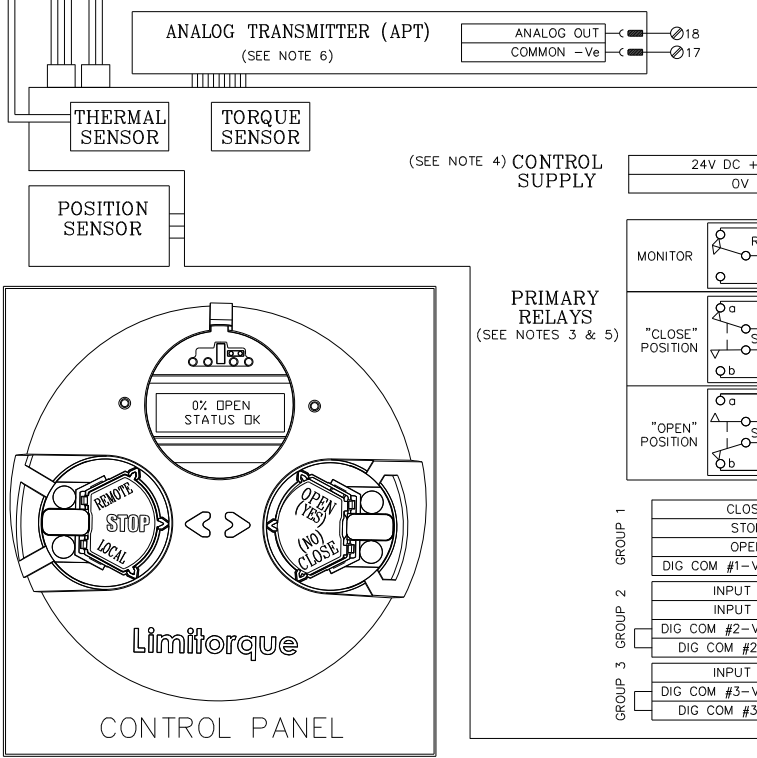
TERMINALS 21 AND 22 (24 VDC)
 - 5W MAX. EXT. LOAD

5. CONTACT RATINGS

S1, S2 - 0.5 AMP @ 125 VAC, 2 AMPS @ 30 VDC (RESISTIVE)
 MONITOR - 0.5 AMP @ 125 VAC, 2 AMPS @ 30 VDC (RESISTIVE)

6. APT OR ATT EXTERNAL LOAD

4-20 mA OUTPUT SIGNAL - 600 OHMS MAX.
 0-10 VDC OUTPUT SIGNAL - 1000 OHMS MAX.
 SET JUMPERS JP1 AND JP2 TO POSITION 1-2 ON ANALOG BOARD.
 THE 3-PIN CONNECTOR WITH BLUE WIRES SHOULD BE CONNECTED TO J3 ON THE ANALOG BOARD.



DRAWN	DATE	TITLE
RAC	11/10/10	QX WIRING DIAGRAM
CHECKED	DATE	Standard No CS
ZKC	11/12/10	APT (Analog Position Transmitter)
APPROVED	DATE	DC Voltage
MAD	11/15/10	OS, (2) 2A with (1) 2A monitor relay
UNIT TYPE	QX	3Wire_4Wire
DWG NO	WD-QX-300010-00000	REV00H
SHEET 1		OF 1