

NOTES: (SEE INSTALLATION & OPERATION MANUAL LMENIM 3306 FOR DETAILS)
CIRCUIT SHOWN WITH VALVE IN FULLY CLOSED POSITION AND WITH POWER OFF.

- REMOTE INPUTS**
SIGNAL THRESHOLD - MINIMUM "ON" 19.2V AC/DC
MAXIMUM "OFF" 5.0V AC/DC
MAX LOAD - 10 mA / 110V AC
2 mA / 24V DC
REQUIRED CONTROL SIGNAL DURATION = 350ms MIN.
INPUTS 0,1,2 ARE FIELD CONFIGURABLE FOR CLOSE/OPEN INHIBIT, USER INPUT OR ESD. IN ADDITION, INPUT 2 MAY BE CONFIGURED FOR CSE REMOTE SELECTION INDICATION.
DEFAULT INPUT CONFIGURATION:
INPUT 0 - ESD,
INPUT 1 - OPEN INHIBIT,
INPUT 2 - CLOSE INHIBIT.

- REMOTE INPUT JUMPERS**
JUMPERS CAN BE USER WIRED TO CONNECT DIG COMMONS #1, 2 & 3 (AS NEEDED). THE 3 REMOTE WIRING GROUPS ARE ELECTRICALLY ISOLATED, INTERNALLY. ONLY A SINGLE POWER SOURCE MAY BE USED TO POWER ANY ONE GROUP BUT DIFFERENT SOURCES MAY POWER DIFFERENT GROUPS. IF DIFFERENT SOURCES ARE USED, ENSURE THAT THE POLARITIES ARE CORRECT.

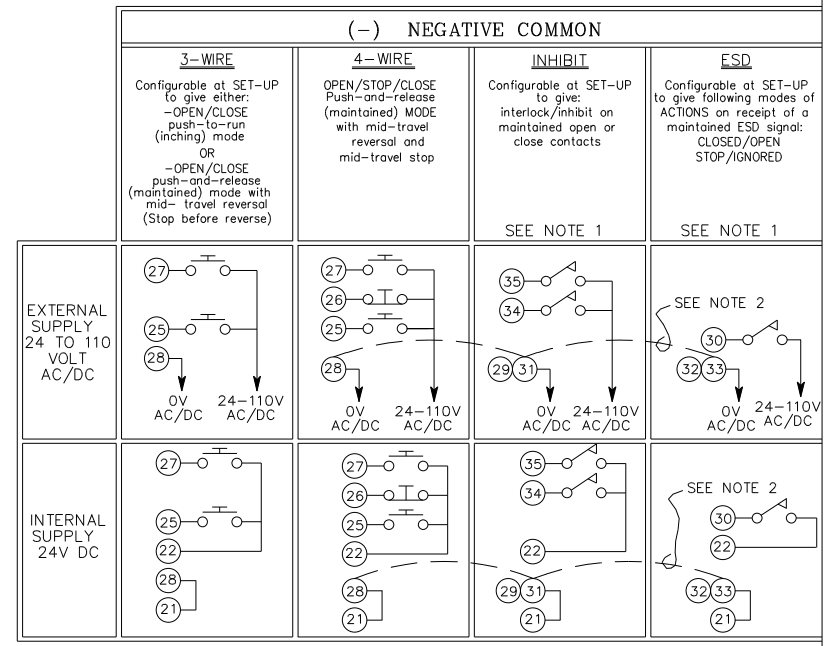
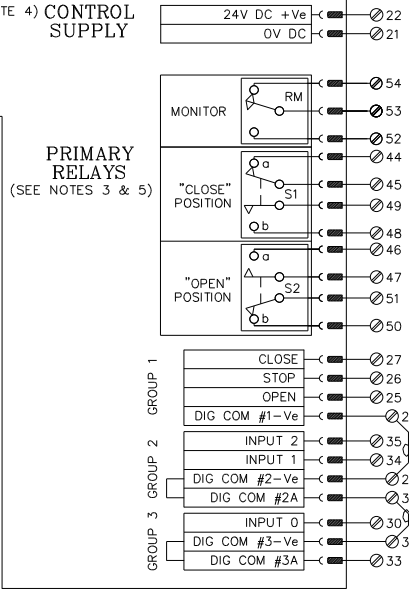
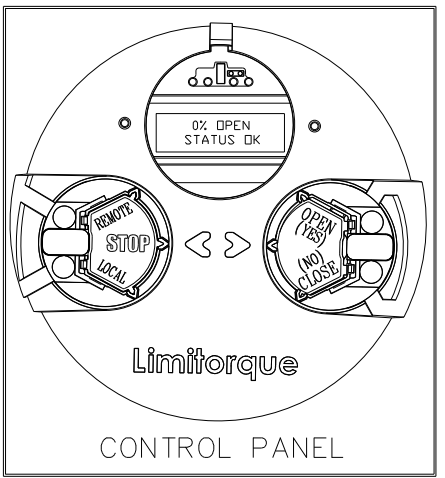
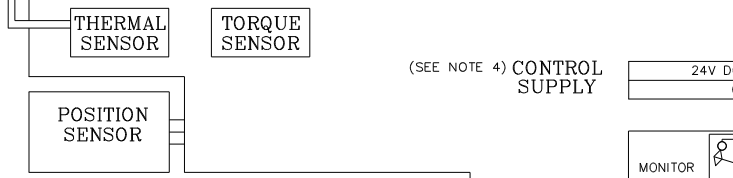
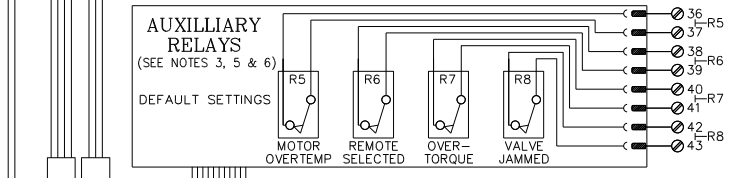
- DEFAULT [S] SETTINGS**
THE DEFAULT OPERATING CONFIGURATION FOR THE "S" OUTPUTS ARE SHOWN IN THE TABLE BELOW. THE CONTACT STATES SHOWN IN THE SCHEMATIC REPRESENT A FULLY CLOSED VALVE. SEE OPERATION MANUAL FOR ALTERNATE CONFIGURATIONS.

| OUTPUT SWITCH | VALVE POSITION | | FUNCTION |
|---------------|----------------|-----------|-------------|
| | FULL CLOSE | FULL OPEN | |
| S1a | █ | --- | CLOSE LIMIT |
| S1b | --- | █ | |
| S2a | █ | --- | OPEN LIMIT |
| S2b | --- | █ | |

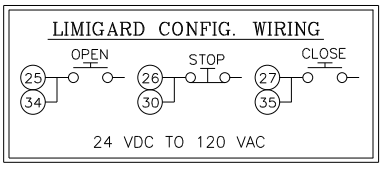
--- OPEN CONTACT
█ CLOSED CONTACT

- MAXIMUM EXTERNAL LOAD**
TERMINALS 21 AND 22 (24 VDC)
- 5W MAX. EXT. LOAD
- CONTACT RATINGS**
S1, S2- 0.5 AMP @ 125 VAC, 2 AMPS @ 30 VDC (RESISTIVE)
MONITOR- 0.5 AMP @ 125 VAC, 2 AMPS @ 30 VDC (RESISTIVE)
R5-R8- 5 AMPS @ 250 VAC OR 30 VDC (RESISTIVE)

- RELAY BOARDS**
SET JUMPER J1 TO POSITION 3-4 ON THE RELAY BOARD. CONNECT 22-PIN CONNECTOR WITH YELLOW WIRES TO J3 ON THE RELAY BOARD.



| REMOTE WIRING CONNECTIONS | | | | | |
|---------------------------|------------|-------------------|------------|--------------------|-----------------------|
| TERMINAL POINT | CLOSE (27) | +24V DC (22) | 0V DC (21) | OPEN INHIBIT (34) | DIG COM #1 (28) |
| FUNCTION | STOP (26) | +24V DC (22) | 0V DC (21) | CLOSE INHIBIT (35) | DIG COM #2(A) (29,31) |
| | OPEN (25) | EXTERNAL SUPPLY ↓ | | ESD (30) | DIG COM #3(A) (32,33) |



| | | | |
|----------|----------|--|--------------------|
| DRAWN | DATE | Limitorque Actuation Systems 5114 WOODALL ROAD, LYNNBURG, VIRGINIA 24050-1318 | |
| RAC | 11/10/10 | TITLE | QX WIRING DIAGRAM |
| CHECKED | DATE | Standard No Analog DC Voltage OB, OS w/ opt (4) 5A. (1) 2A monitor relay 3Wire_4Wire | |
| ZKC | 11/12/10 | No CS | |
| APPROVED | DATE | UNIT | TYPE QX |
| MAD | 11/15/10 | DWG. NO. | WD-QX-320000-00000 |
| | | REV | 000H |
| | | SHEET | 1 OF 1 |