

NOTES: (SEE INSTALLATION & OPERATION MANUAL LMENIM 3306 FOR DETAILS)
CIRCUIT SHOWN WITH VALVE IN FULLY CLOSED POSITION AND WITH POWER OFF.

1. REMOTE INPUTS

SIGNAL THRESHOLD - MINIMUM "ON" 19.2V AC/DC
MAXIMUM "OFF" 5.0V AC/DC
MAX LOAD - 10 mA / 110V AC
2 mA / 24V DC

REQUIRED CONTROL SIGNAL DURATION = 350ms MIN.
INPUTS 0, 1, 2 ARE FIELD CONFIGURABLE FOR

CLOSE/OPEN INHIBIT, USER INPUT OR ESD.
IN ADDITION, INPUT 2 MAY BE CONFIGURED FOR CSE REMOTE SELECTION INDICATION.
DEFAULT INPUT CONFIGURATION:
INPUT 0 - ESD,
INPUT 1 - OPEN INHIBIT,
INPUT 2 - CLOSE INHIBIT.

2. REMOTE INPUT JUMPERS

JUMPERS CAN BE USER WIRED TO CONNECT DIG COMMONS #1, 2 & 3 (AS NEEDED). THE 3 REMOTE WIRING GROUPS ARE ELECTRICALLY ISOLATED, INTERNALLY. ONLY A SINGLE POWER SOURCE MAY BE USED TO POWER ANY ONE GROUP BUT DIFFERENT SOURCES MAY POWER DIFFERENT GROUPS. IF DIFFERENT SOURCES ARE USED, ENSURE THAT THE POLARITIES ARE CORRECT.

3. DEFAULT [S] SETTINGS

THE DEFAULT OPERATING CONFIGURATION FOR THE "S" OUTPUTS ARE SHOWN IN THE TABLE BELOW. THE CONTACT STATES SHOWN IN THE SCHEMATIC REPRESENT A FULLY CLOSED VALVE. SEE OPERATION MANUAL FOR ALTERNATE CONFIGURATIONS.

OUTPUT SWITCH	VALVE POSITION		FUNCTION
	FULL CLOSE	FULL OPEN	
S1a	—	—	CLOSE LIMIT
S1b	—	—	
S2a	—	—	OPEN LIMIT
S2b	—	—	

— OPEN CONTACT
█ CLOSED CONTACT

4. MAXIMUM EXTERNAL LOAD

TERMINALS 21 AND 22 (24 VDC)
- 5W MAX. EXT. LOAD

5. CONTACT RATINGS

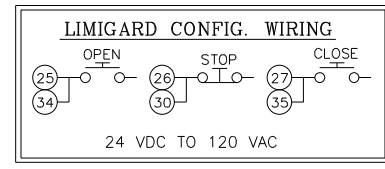
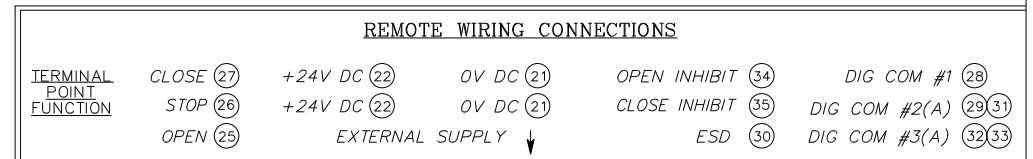
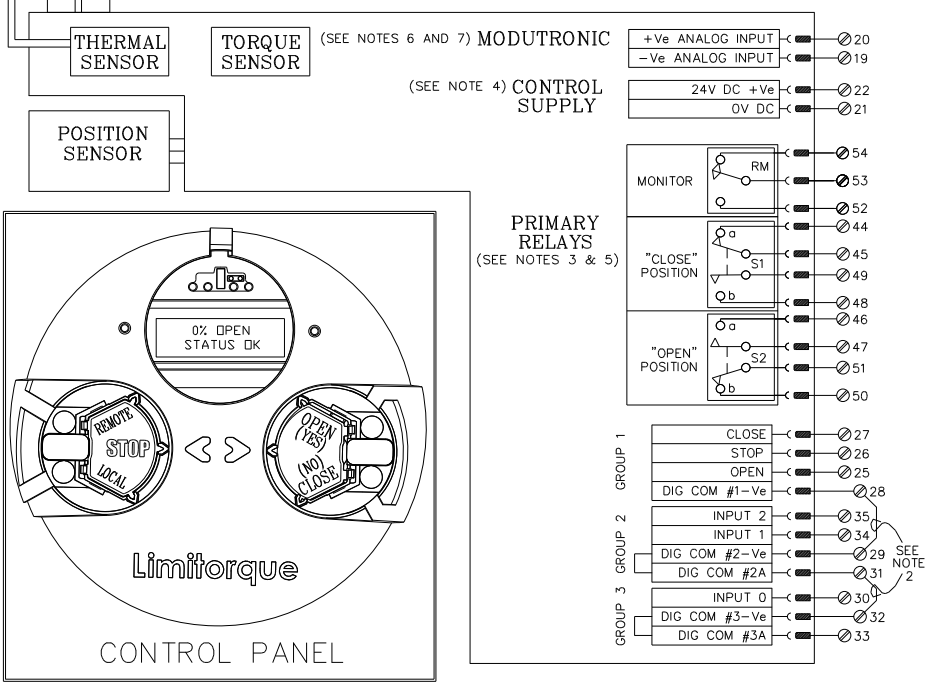
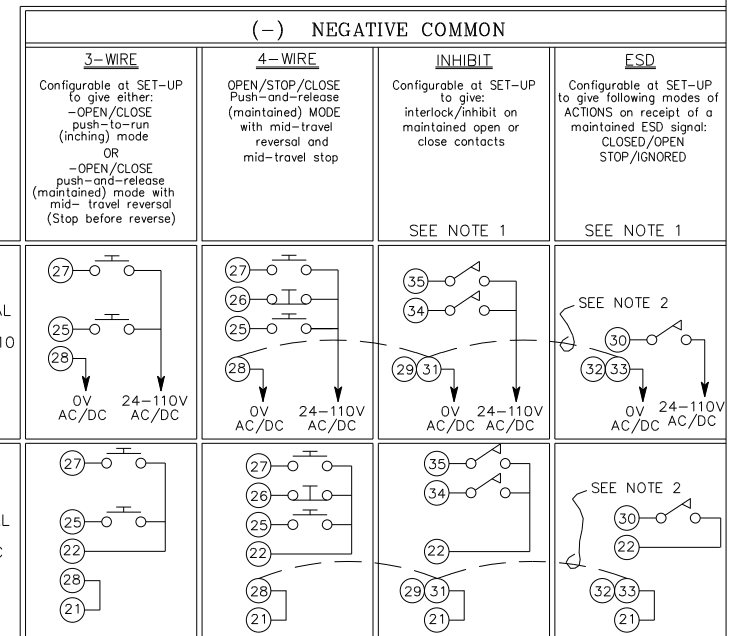
S1, S2 - 0.5 AMP @ 125 VAC, 2 AMPS @ 30 VDC (RESISTIVE)
MONITOR - 0.5 AMP @ 125 VAC, 2 AMPS @ 30 VDC (RESISTIVE)

6. COMMAND PRIORITY

PLEASE SEE INSTALLATION AND OPERATION MANUAL LMENIM 3306 FOR NETWORK COMMAND PRIORITIES.

7. INPUT LOADS

IMPEDANCE = 150 OHMS
CAPACITANCE = 0.1 uF 30%
STANDARD SIGNAL: 4-20 mA



DRAWN RAC 11/10/10	DATE	Limitorque Actuation Systems 5114 WOODALL ROAD, LYNCHBURG, VIRGINIA 24506-1318
CHECKED ZKC 11/12/10	DATE	
APPROVED MAD 11/15/10	DATE	TITLE QX WIRING DIAGRAM No CS Modutronic No Analog DC Voltage OS, (2) 2A with (1) 2A monitor relay 3Wire_4Wire
UNIT TYPE QX	DWG NO WD-QX-300100-00000	REV 00H SHEET 1 OF 1