

NOTES: (SEE INSTALLATION & OPERATION MANUAL LMENIM 3306 FOR DETAILS)
 CIRCUIT SHOWN WITH VALVE IN FULLY CLOSED POSITION AND WITH POWER OFF.

- REMOTE INPUTS**
 SIGNAL THRESHOLD - MINIMUM "ON" 19.2V AC/DC
 MAXIMUM "OFF" 5.0V AC/DC
 MAX LOAD - 10 mA / 110V AC
 2 mA / 24V DC
 REQUIRED CONTROL SIGNAL DURATION = 350ms MIN.
 INPUTS 0,1,2 ARE FIELD CONFIGURABLE FOR CLOSE/OPEN INHIBIT, USER INPUT OR ESD. IN ADDITION, INPUT 2 MAY BE CONFIGURED FOR CSE REMOTE SELECTION INDICATION.
 DEFAULT INPUT CONFIGURATION:
 INPUT 0 - ESD,
 INPUT 1 - OPEN INHIBIT,
 INPUT 2 - CLOSE INHIBIT.

- REMOTE INPUT JUMPERS**
 JUMPERS CAN BE USER WIRED TO CONNECT DIG COMMONS #1, 2 & 3 (AS NEEDED). THE 3 REMOTE WIRING GROUPS ARE ELECTRICALLY ISOLATED, INTERNALLY. ONLY A SINGLE POWER SOURCE MAY BE USED TO POWER ANY ONE GROUP BUT DIFFERENT SOURCES MAY POWER DIFFERENT GROUPS. IF DIFFERENT SOURCES ARE USED, ENSURE THAT THE POLARITIES ARE CORRECT.

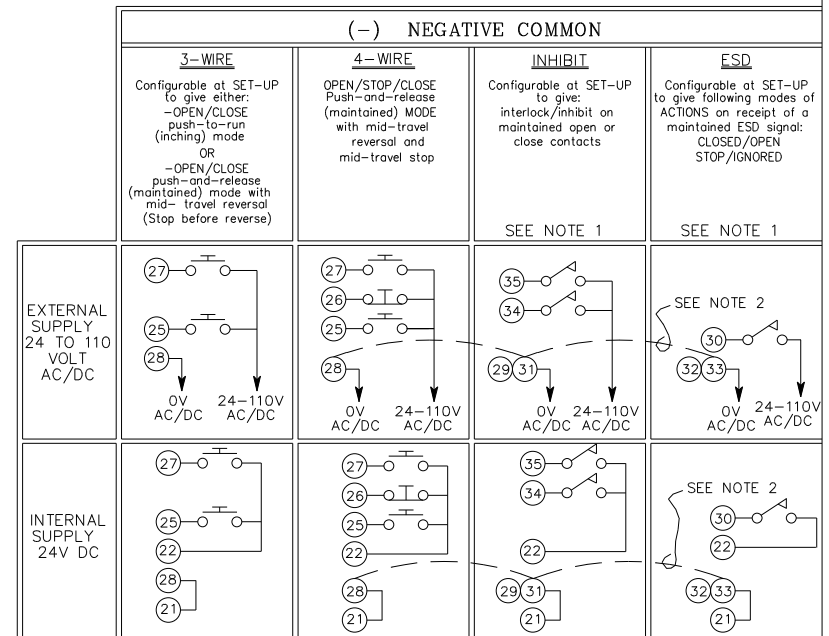
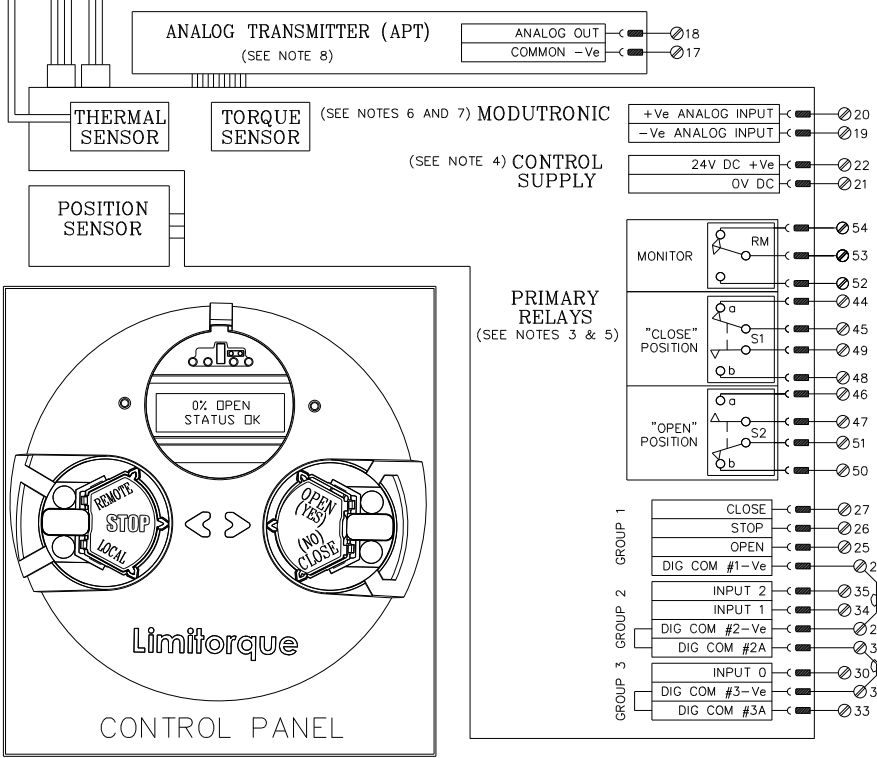
- DEFAULT [S] SETTINGS**
 THE DEFAULT OPERATING CONFIGURATION FOR THE "S" OUTPUTS ARE SHOWN IN THE TABLE BELOW. THE CONTACT STATES SHOWN IN THE SCHEMATIC REPRESENT A FULLY CLOSED VALVE.
 SEE OPERATION MANUAL FOR ALTERNATE CONFIGURATIONS.

OUTPUT SWITCH CONTACT DEVELOPMENT			
OUTPUT SWITCH	VALVE POSITION		FUNCTION
	FULL CLOSE	FULL OPEN	
S1a	—	—	CLOSE LIMIT
S1b	—	—	
S2a	—	—	OPEN LIMIT
S2b	—	—	

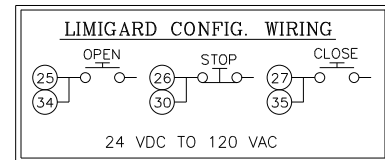
— OPEN CONTACT
 █ CLOSED CONTACT

- MAXIMUM EXTERNAL LOAD**
 TERMINALS 21 AND 22 (24 VDC)
 - 5W MAX. EXT. LOAD
- CONTACT RATINGS**
 S1, S2 - 0.5 AMP @ 125 VAC, 2 AMPS @ 30 VDC (RESISTIVE)
 MONITOR - 0.5 AMP @ 125 VAC, 2 AMPS @ 30 VDC (RESISTIVE)
- COMMAND PRIORITY**
 PLEASE SEE INSTALLATION AND OPERATION MANUAL LMENIM 3306 FOR NETWORK COMMAND PRIORITIES.

- INPUT LOADS**
 IMPEDANCE = 150 OHMS
 CAPACITANCE = 0.1 uF 30%
 STANDARD SIGNAL: 4-20 mA
- APT OR ATT EXTERNAL LOAD**
 4-20 mA OUTPUT SIGNAL - 600 OHMS MAX.
 0-10 VDC OUTPUT SIGNAL - 1000 OHMS MAX.
 SET JUMPERS JP1 AND JP2 TO POSITION 1-2 ON ANALOG BOARD.
 THE 3-PIN CONNECTOR WITH BLUE WIRES SHOULD BE CONNECTED TO J3 ON THE ANALOG BOARD.



REMOTE WIRING CONNECTIONS					
TERMINAL POINT	CLOSE (27)	+24V DC (22)	0V DC (21)	OPEN INHIBIT (34)	DIG COM #1 (28)
FUNCTION	STOP (26)	+24V DC (22)	0V DC (21)	CLOSE INHIBIT (35)	DIG COM #2(A) (29,31)
	OPEN (25)	EXTERNAL SUPPLY ↓		ESD (30)	DIG COM #3(A) (32,33)



DRAWN	DATE	Limitorque Actuation Systems 5114 WOODALL ROAD, LYNCHBURG, VIRGINIA 24506-1318
RAC	11/10/10	
CHECKED	DATE	TITLE
ZKC	11/12/10	QX WIRING DIAGRAM
APPROVED	DATE	No CS
MAD	11/15/10	APT (Analog Position Transmitter)
		DC Voltage
		OS, (2) 2A with (1) 2A monitor relay
		3Wire_4Wire
UNIT TYPE	QX	DWG NO
		WD-QX-300110-00000
REV	00H	SHEET 1
		OF 1