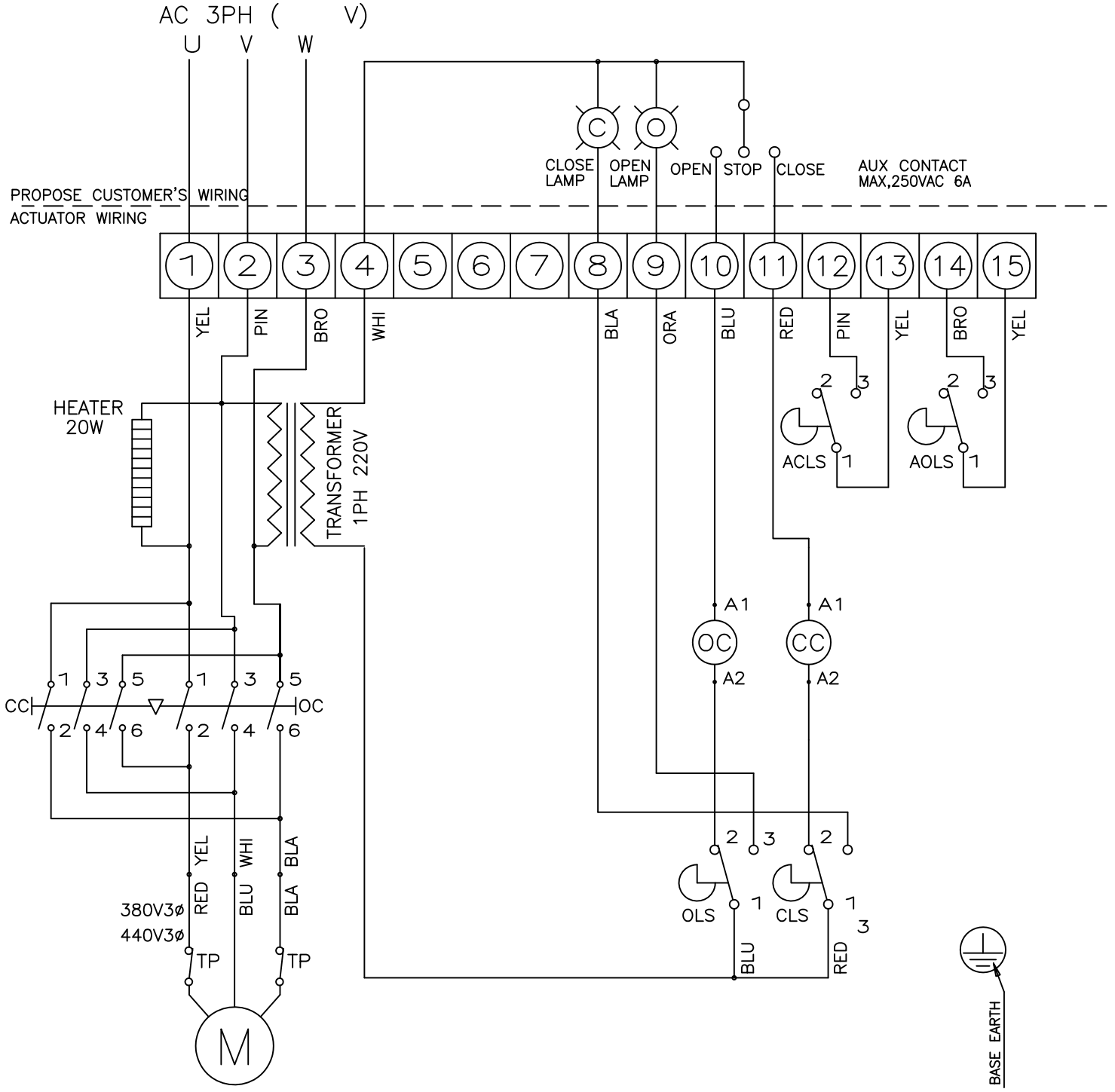


CLS : CLOSE LIMIT SWITCH (250VAC 6A)
 OLS : OPEN LIMIT SWITCH (250VAC 6A)
 ACLS : AUX. CLOSE LIMIT SWITCH (250VAC 6A)
 AOLS : AUX. OPEN LIMIT SWITCH (250VAC 6A)
 TP : THERMAL PROTECTOR

	CLOSE	OPEN
CLS 1-2		
CLS 1-3		
OLS 1-2		
OLS 1-3		
ACLS 1-2		
ACLS 1-3		
AOLS 1-2		
AOLS 1-3		



			△					
			SYM	E C N NO	CHANGES	DATE	SIGN	APPD
			DRAW	H,J KWON	PART NAME	3PH WIRING DIAGRAM ALS,IMS(220V CONTROL)		
A009	1		CHECK					
A006	1		APPD		DWG NO.	NU-324DO-A		
APPLICATION			DATE	'15,12,22				