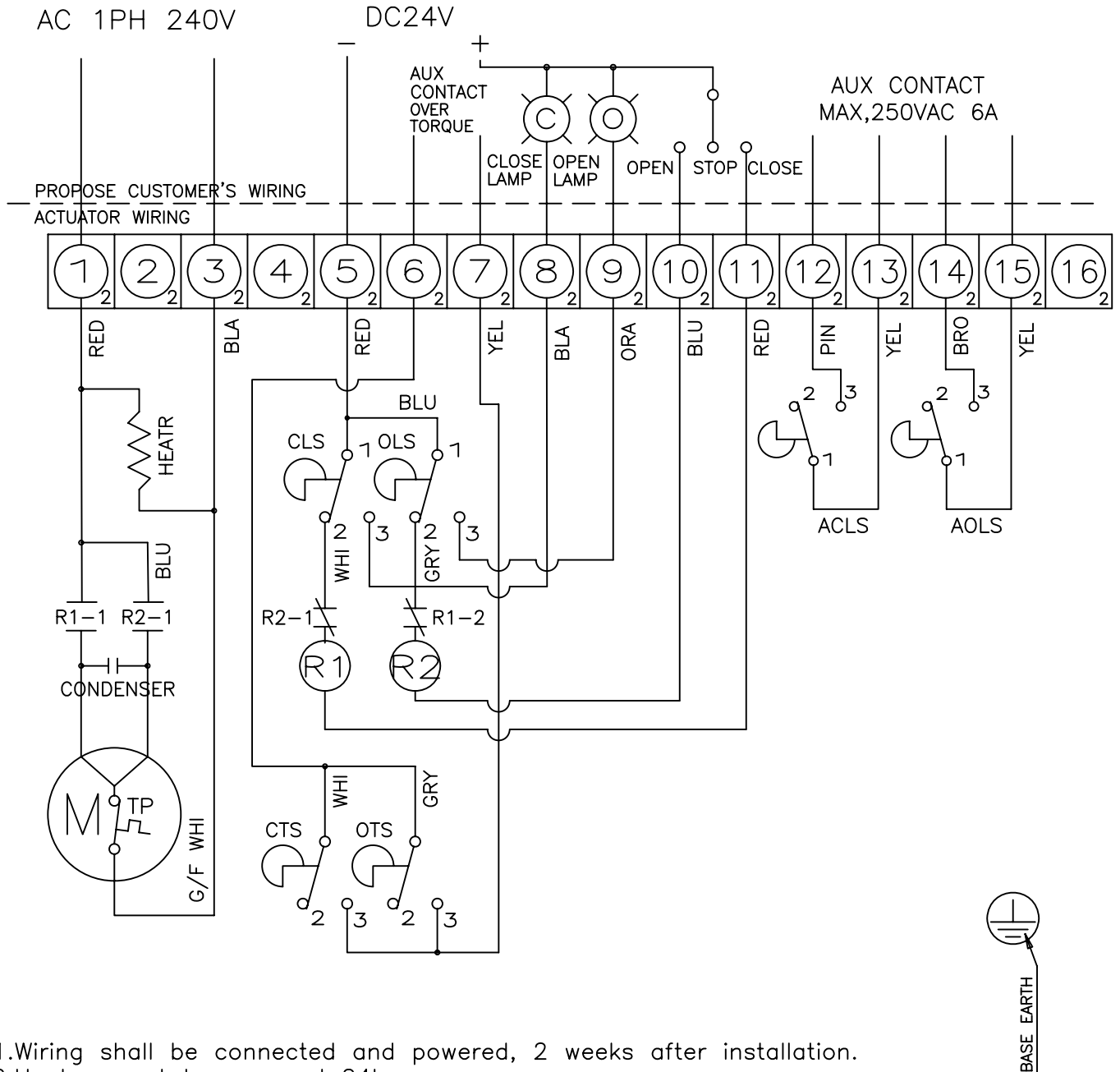


CLS : CLOSE LIMIT SWITCH (250VAC 15A)  
 OLS : OPEN LIMIT SWITCH (250VAC 15A)  
 CTS : AUX,CLOSE TORQUE SWITCH (250VAC 15A)  
 OTS : AUX,OPEN TORQUE SWITCH (250VAC 15A)  
 R1 : CLOSE RELAY(250VAC 10A)  
 R2 : OPEN RELAY(250VAC 10A)  
 TP : THERMAL PROTECTOR (250VAC 15A)  
 ACLS : AUX,CLOSE LIMIT SWITCH (250VAC 15A)  
 AOLS : AUX,OPEN LIMIT SWITCH (250VAC 15A)

	CLOSE	OPEN
CLS 1-2		
CLS 1-3		
OLS 1-2		
OLS 1-3		
ACLS 1-3		
AOLS 1-3		
CTS 1-3	* CLOSING TORQUE SWITCH INTERRUPTS CONTROL IF MECHANICAL OVERLOAD OCCURS DURING CLOSING CYCLE	
OTS 1-3	* OPENING TORQUE SWITCH INTERRUPTS CONTROL IF MECHANICAL OVERLOAD OCCURS DURING OPENING CYCLE	



1. Wiring shall be connected and powered, 2 weeks after installation.
2. Heater must be powered 24 hours.
3. No life wire looping (shall use individual switch or relay for usage 2 or more actuator)

\*WARRANTY VOID IF ABOVE STATEMENTS NOT FOLLOW\*

NA250	1							
NA200	1							
NA150	1							
NA100	1	DRAW	H.J KWON					
NA080	1							
NA060	1	DESIGN	H.J KWON					
NA050	1							
NA038	1							
NA028	1	CHECK						
NA019	1							
NA015	1	APPD						
APPLICATION								
				ISSU. DEPT.	DATE 08,04,02	PART NAME 1PH WIRING DIAGRAM ALS, DC24V CONTROL		
						DWG NO. OP-12400-A		
				EUNHA MACHINERY IND. CO., LTD.				