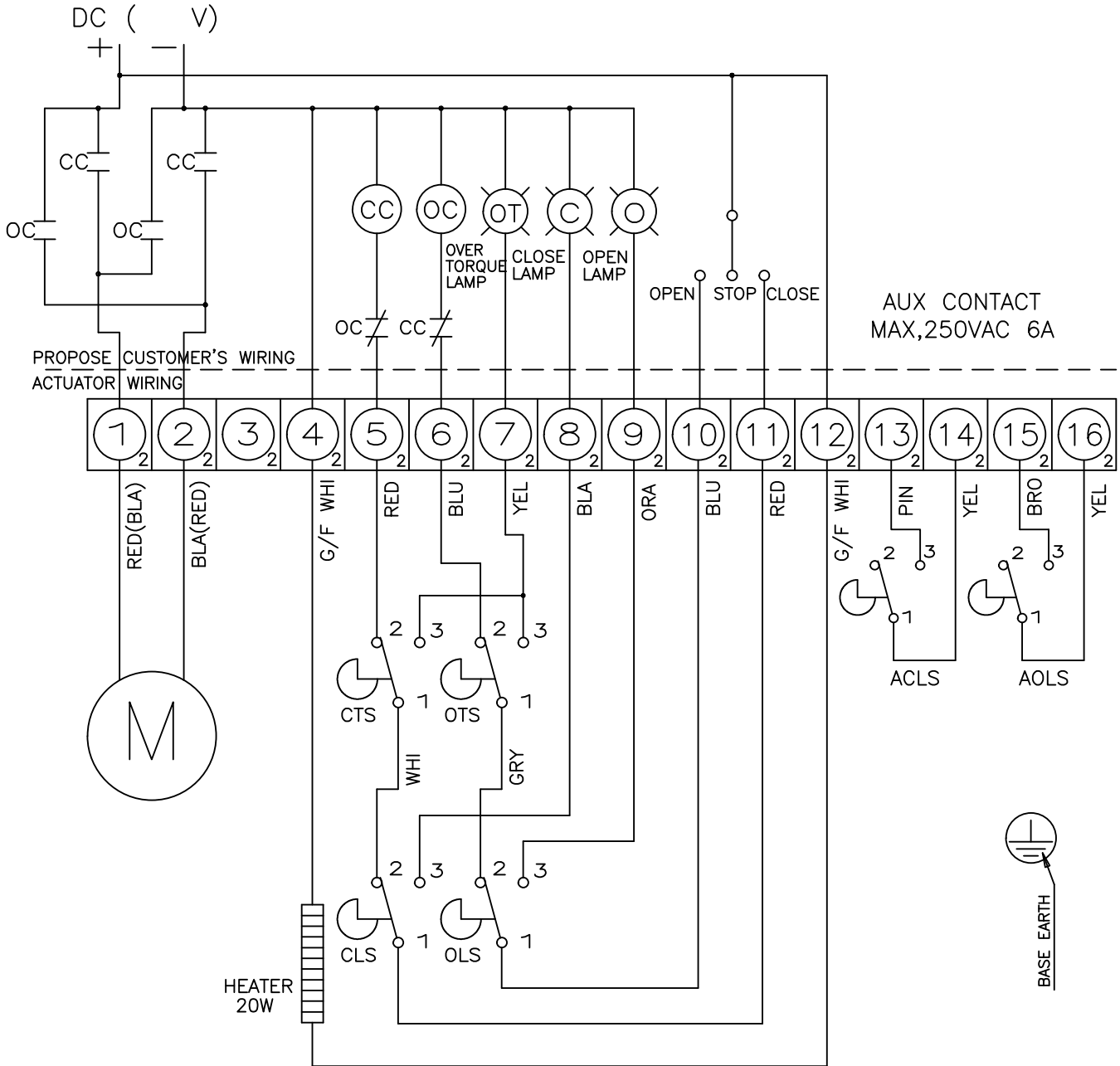


CLS : CLOSE LIMIT SWITCH (250VAC 6A)
 OLS : OPEN LIMIT SWITCH (250VAC 6A)
 CTS : CLOSE TORQUE SWITCH (250VAC 6A)
 OTS : OPEN TORQUE SWITCH (250VAC 6A)
 ACLS : AUX. CLOSE LIMIT SWITCH (250VAC 6A)
 AOLS : AUX.OPEN LIMIT SWITCH (250VAC 6A)

	CLOSE	OPEN
CLS 1-2		
CLS 1-3		
OLS 1-2		
OLS 1-3		
ACLS 1-2		
ACLS 1-3		
AOLS 1-2		
AOLS 1-3		
CTS 1-3	* CLOSING TORQUE SWITCH INTERRUPTS CONTROL IF MECHANICAL OVERLOAD OCCURS DURING CLOSING CYCLE	
OTS 1-3	* OPENING TORQUE SWITCH INTERRUPTS CONTROL IF MACHANICAL OVERLOAD OCCURS DURING OPENING CYCLE	



NO.	REV.	DESCRIPTION	DATE	BY	CHKD.	APPD.
		△				
		SYM	E C N NO	CHANGES		DATE
A028	1	DRAW	H,J KWON	PART NAME		DC24V WIRING DIAGRAM
A019	1	CHECK				ALS
A015	1	APPD		DWG NO.		NS-82000-C
APPLICATION		DATE	'02.04.01			