

NOTES: (SEE INSTALLATION & OPERATION MANUAL LMENIM 2306 FOR DETAILS)
CIRCUIT SHOWN WITH VALVE IN FULLY CLOSED POSITION AND WITH POWER OFF.

1. REMOTE INPUTS

SIGNAL THRESHOLD - MINIMUM "ON" 19.2V AC/DC
MAXIMUM "OFF" 5.0V AC/DC
MAX LOAD - 10 mA / 110V AC
2 mA / 24V DC
REQUIRED CONTROL SIGNAL DURATION = 350ms MIN.
INPUTS 0,1,2 ARE FIELD CONFIGURABLE FOR CLOSE/OPEN INHIBIT, USER INPUT, OR ESD.
INPUT 1 MAY ALSO BE CONFIGURED FOR PARTIAL STROKE TEST.
INPUT 2 MAY ALSO BE CONFIGURED FOR CSE REMOTE SELECTION INDICATION.
DEFAULT INPUT CONFIGURATION
INPUT 0 - ESD,
INPUT 1 - OPEN INHIBIT,
INPUT 2 - CLOSE INHIBIT.

2. REMOTE INPUT JUMPERS

JUMPERS CAN BE USER WIRED TO CONNECT DIG COMMONS #1, 2 & 3 (AS NEEDED). THE 3 REMOTE WIRING GROUPS ARE ELECTRICALLY ISOLATED, INTERNALLY. ONLY A SINGLE POWER SOURCE MAY BE USED TO POWER ANY ONE GROUP BUT DIFFERENT SOURCES MAY POWER DIFFERENT GROUPS. IF DIFFERENT SOURCES ARE USED, ENSURE THAT THE POLARITIES ARE CORRECT.

3. DEFAULT [S] SETTINGS

THE DEFAULT OPERATING CONFIGURATION FOR THE "S" OUTPUTS ARE SHOWN IN THE TABLE BELOW. THE CONTACT STATES SHOWN IN THE SCHEMATIC REPRESENT A FULLY CLOSED VALVE. SEE OPERATION MANUAL FOR ALTERNATE CONFIGURATIONS.

OUTPUT SWITCH	VALVE POSITION		FUNCTION
	FULL CLOSE	FULL OPEN	
S1a	---	---	CLOSE LIMIT
S1b	---	---	
S2a	---	---	OPEN LIMIT
S2b	---	---	

--- OPEN CONTACT
--- CLOSED CONTACT

4. MAXIMUM EXTERNAL LOAD

TERMINALS 21 AND 22 (24 VDC)
- 5W MAX. EXT. LOAD

5. CONTACT RATINGS

S1, S2 - 0.5 AMP @ 125 VAC, 2 AMPS @ 30 VDC (RESISTIVE)
MONITOR - 0.5 AMP @ 125 VAC, 2 AMPS @ 30 VDC (RESISTIVE)
R5-R8 - 5 AMPS @ 250 VAC OR 30 VDC (RESISTIVE)

6. COMMAND PRIORITY

PLEASE SEE INSTALLATION AND OPERATION MANUAL LMENIM 2306 FOR NETWORK COMMAND PRIORITIES.

7. FUSES

FS1 (PRIMARY) 600V AC, 1A, 100KA INT RATING, FAST ACTING 10.3 x 38.1mm TUBE, UL LISTED, CSA CERTIFIED
FS2 (PRIMARY)

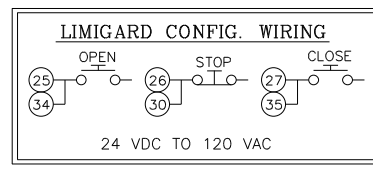
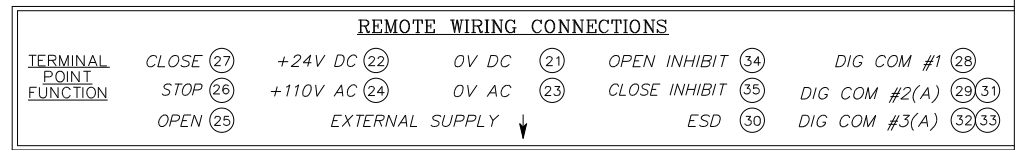
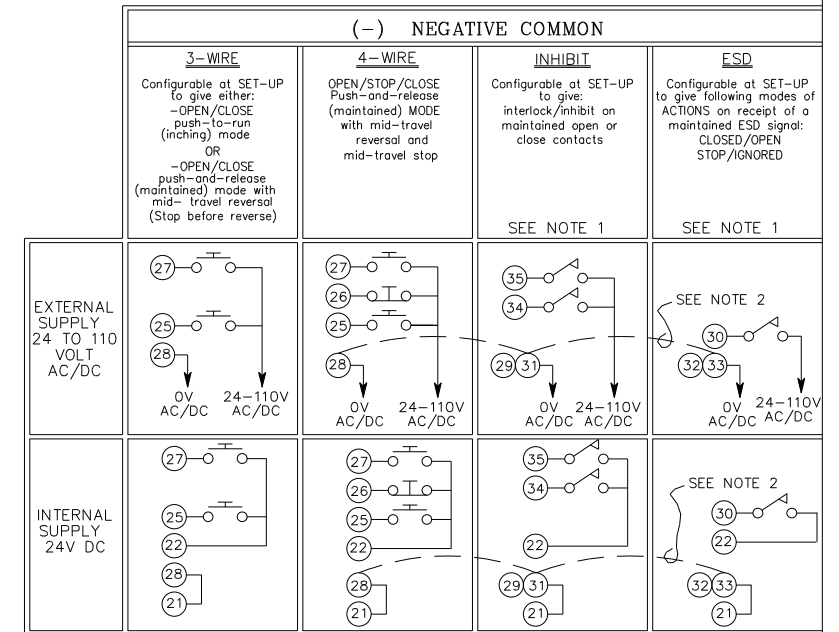
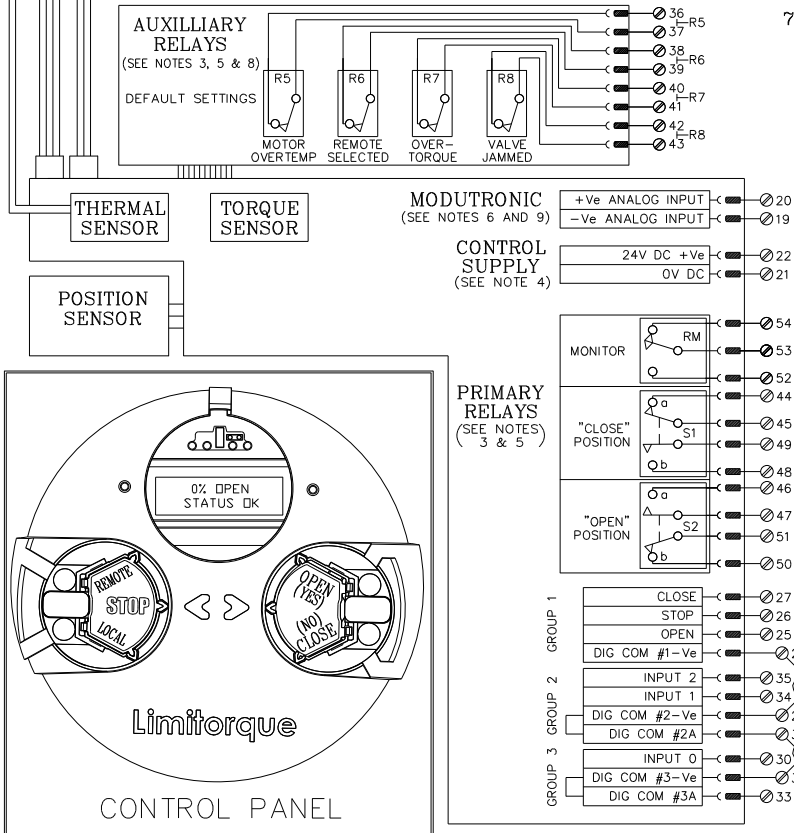
8. RELAY BOARDS

SET JUMPER J1 TO POSITION 3-4 ON THE RELAY BOARD. CONNECT 22-PIN CONNECTOR WITH YELLOW WIRES TO J3 ON THE RELAY BOARD.

9. INPUT LOADS

IMPEDANCE = 150 OHMS
CAPACITANCE = 0.1 uF 30%
STANDARD SIGNAL: 4-20 mA

TYPE	TAPS	APPL. VOLTAGES
1	106V	110V
	115V	115V, 120V
	200V	208V
	212V	220V
2	226V	226V, 230V, 240V
	366V	380V
	392V	400V, 415V
	450V	440V, 460V, 480V
3	212V	220V
	505V	525V
	530V	550V
	572V	575V, 600V



DRAWN	DATE	Limitorque Actuation Systems 5114 WOODALL ROAD, LYNCHBURG, VIRGINIA 24506-1318
RLP	10/30/12	
CHECKED	DATE	TITLE
ZKC	11/01/12	MXa WIRING DIAGRAM
APPROVED	DATE	Modutronic No Analog Mechanical Contactor OB, OS w/opt (4) 5A, (1) 2A monitor relay 3Wire/4Wire
ZKC	11/01/12	
UNIT TYPE	MXa	DWG NO
		WD-MXa-020100-0000
REV	00H	SHEET
		1 OF 1