



NOTES: (SEE INSTALLATION & OPERATION MANUAL LMENIM 2306 FOR DETAILS)  
CIRCUIT SHOWN WITH VALVE IN FULLY CLOSED POSITION AND WITH POWER OFF.

- REMOTE INPUTS**  
SIGNAL THRESHOLD - MINIMUM "ON" 19.2V AC/DC  
MAXIMUM "OFF" 5.0V AC/DC  
MAX LOAD - 10 mA / 110V AC  
2 mA / 24V DC  
REQUIRED CONTROL SIGNAL DURATION = 350ms MIN.  
INPUTS 0,1,2 ARE FIELD CONFIGURABLE FOR CLOSE/OPEN INHIBIT, USER INPUT, OR ESD.  
INPUT 1 MAY ALSO BE CONFIGURED FOR PARTIAL STROKE TEST.  
INPUT 2 MAY ALSO BE CONFIGURED FOR CSE REMOTE SELECTION INDICATION.  
DEFAULT INPUT CONFIGURATION  
INPUT 0 - ESD,  
INPUT 1 - OPEN INHIBIT,  
INPUT 2 - CLOSE INHIBIT.

- APT OR ATT EXTERNAL LOAD**  
4-20 mA OUTPUT SIGNAL - 600 OHMS MAX.  
0-10 VDC OUTPUT SIGNAL - 1000 OHMS MAX.  
SET JUMPERS JP1 AND JP2 TO POSITION 1-2 ON ANALOG BOARD.  
THE 3-PIN CONNECTOR WITH BLUE WIRES SHOULD BE CONNECTED TO J3 ON THE ANALOG BOARD.

- REMOTE INPUT JUMPERS**  
JUMPERS CAN BE USER WIRED TO CONNECT DIG COMMONS #1, 2 & 3 (AS NEEDED). THE 3 REMOTE WIRING GROUPS ARE ELECTRICALLY ISOLATED, INTERNALLY. ONLY A SINGLE POWER SOURCE MAY BE USED TO POWER ANY ONE GROUP BUT DIFFERENT SOURCES MAY POWER DIFFERENT GROUPS. IF DIFFERENT SOURCES ARE USED, ENSURE THAT THE POLARITIES ARE CORRECT.

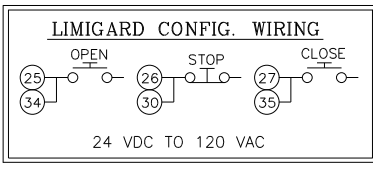
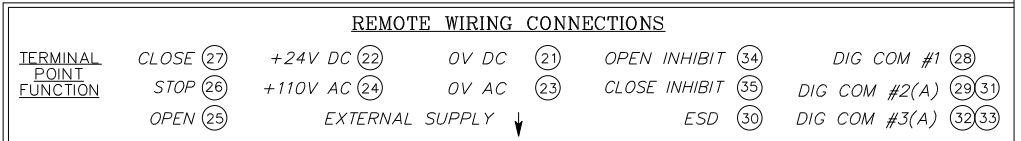
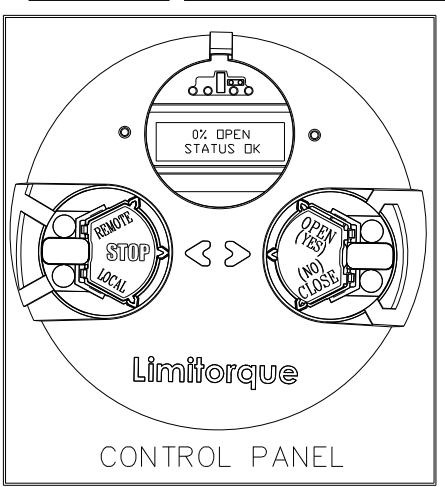
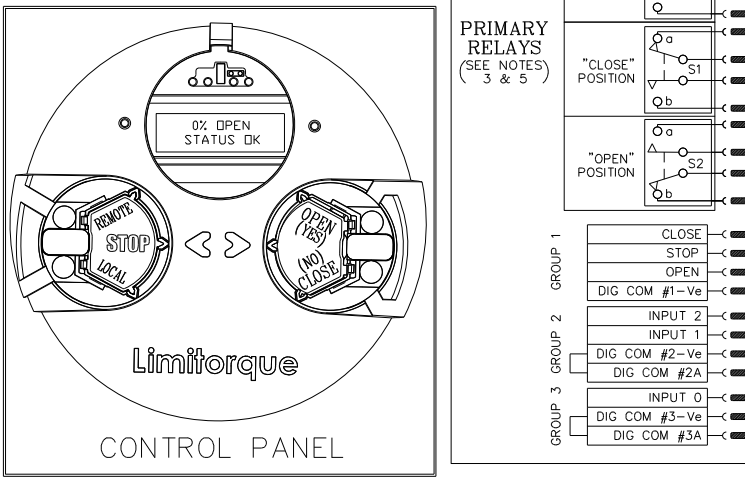
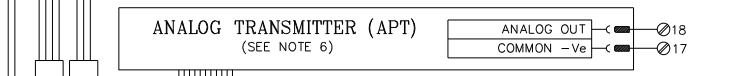
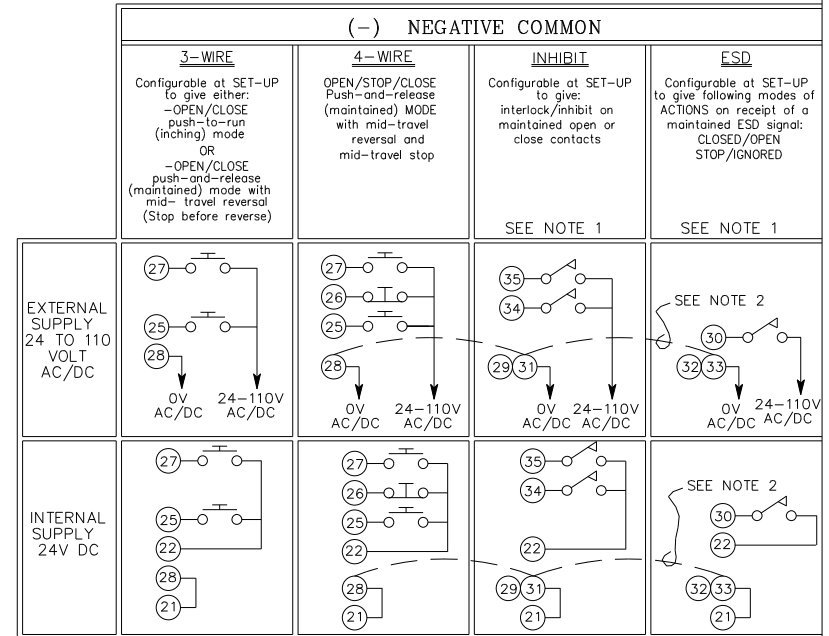
- DEFAULT [S] SETTINGS**  
THE DEFAULT OPERATING CONFIGURATION FOR THE "S" OUTPUTS ARE SHOWN IN THE TABLE BELOW. THE CONTACT STATES SHOWN IN THE SCHEMATIC REPRESENT A FULLY CLOSED VALVE. SEE OPERATION MANUAL FOR ALTERNATE CONFIGURATIONS.

OUTPUT SWITCH	VALVE POSITION		FUNCTION
	FULL CLOSE	FULL OPEN	
S1a	—	—	CLOSE LIMIT
S1b	—	—	
S2a	—	—	
S2b	—	—	OPEN LIMIT

— OPEN CONTACT  
— CLOSED CONTACT

- MAXIMUM EXTERNAL LOAD**  
TERMINALS 21 AND 22 (24 VDC)  
- 5W MAX. EXT. LOAD

- CONTACT RATINGS**  
S1, S2- 0.5 AMP @ 125 VAC, 2 AMPS @ 30 VDC (RESISTIVE).  
MONITOR- 0.5 AMP @ 125 VAC, 2 AMPS @ 30 VDC (RESISTIVE)



DRAWN	DATE	FLOWERVE Limitorque Actuation Systems 5114 WOODALL ROAD, LYNDHURST, VIRGINIA 24006-1318		
RLP	10/30/12	TITLE	MXa WIRING DIAGRAM	
CHECKED	DATE	Standard APT (Analog Position Transmitter) Single-Phase OS, (2) 2A, (1) 2A monitor relay 3Wire/4Wire		
ZKC	11/01/12	APPROVED	DATE	
ZKC	11/01/12	ZKC	11/01/12	
UNIT TYPE	MXa	DWG NO	WD-MXa-200010-0000	REV 00H SHEET 1 OF 1