

NOTES: (SEE INSTALLATION & OPERATION MANUAL LMENIM 2306 FOR DETAILS)

CIRCUIT SHOWN WITH VALVE IN FULLY CLOSED POSITION AND WITH POWER OFF.



- REMOTE INPUTS**
SIGNAL THRESHOLD - MINIMUM "ON" 19.2V AC/DC
MAXIMUM "OFF" 5.0V AC/DC
MAX LOAD - 10 mA / 110V AC
2 mA / 24V DC
REQUIRED CONTROL SIGNAL DURATION = 350ms MIN.
INPUTS 0,1,2 ARE FIELD CONFIGURABLE FOR CLOSE/OPEN INHIBIT, USER INPUT, OR ESD.
INPUT 1 MAY ALSO BE CONFIGURED FOR PARTIAL STROKE TEST.
INPUT 2 MAY ALSO BE CONFIGURED FOR CSE REMOTE SELECTION INDICATION.
DEFAULT INPUT CONFIGURATION
INPUT 0 - ESD,
INPUT 1 - OPEN INHIBIT,
INPUT 2 - CLOSE INHIBIT.

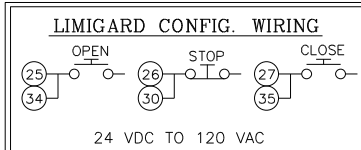
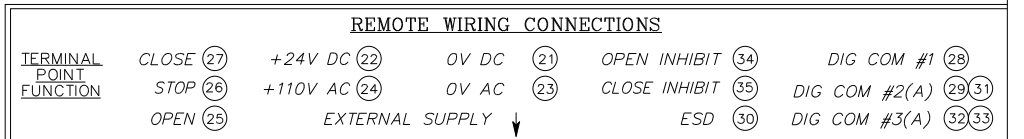
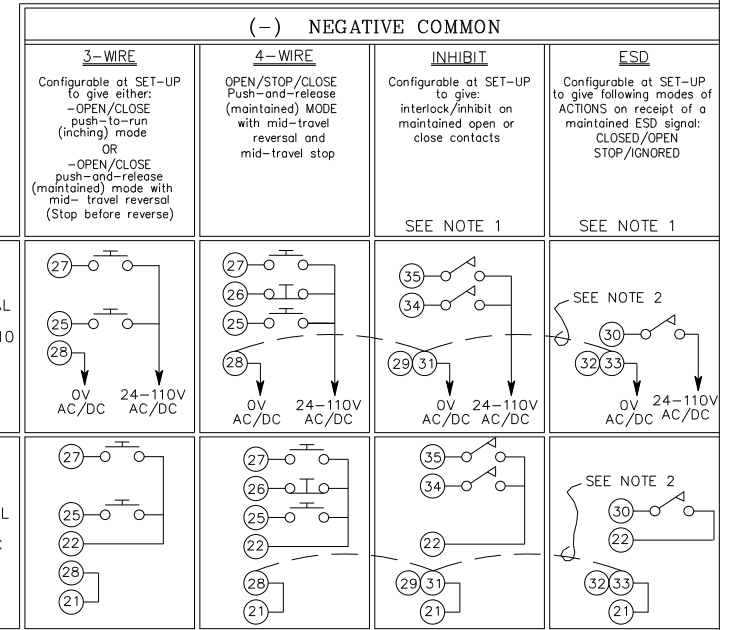
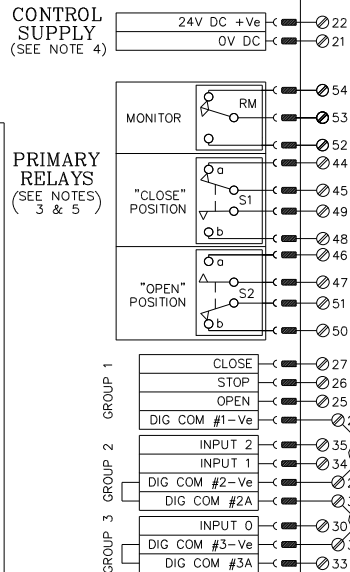
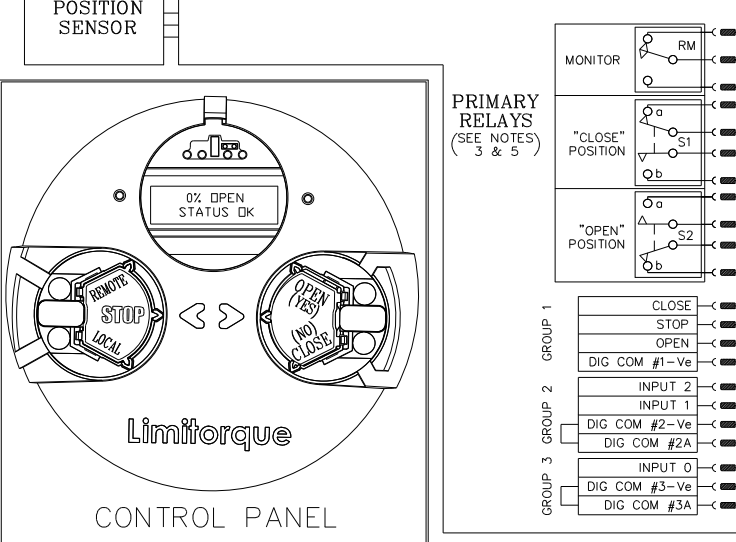
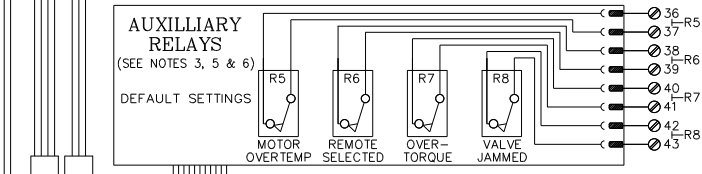
- RELAY BOARDS**
SET JUMPER J1 TO POSITION 3-4 ON THE RELAY BOARD.
CONNECT 22-PIN CONNECTOR WITH YELLOW WIRES TO J3 ON THE RELAY BOARD.

- REMOTE INPUT JUMPERS**
JUMPERS CAN BE USER WIRED TO CONNECT DIG COMMONS #1, 2 & 3 (AS NEEDED). THE 3 REMOTE WIRING GROUPS ARE ELECTRICALLY ISOLATED, INTERNALLY. ONLY A SINGLE POWER SOURCE MAY BE USED TO POWER ANY ONE GROUP BUT DIFFERENT SOURCES MAY POWER DIFFERENT GROUPS. IF DIFFERENT SOURCES ARE USED, ENSURE THAT THE POLARITIES ARE CORRECT.
- DEFAULT [S] SETTINGS**
THE DEFAULT OPERATING CONFIGURATION FOR THE "S" OUTPUTS ARE SHOWN IN THE TABLE BELOW. THE CONTACT STATES SHOWN IN THE SCHEMATIC REPRESENT A FULLY CLOSED VALVE.
SEE OPERATION MANUAL FOR ALTERNATE CONFIGURATIONS.

OUTPUT SWITCH	VALVE POSITION		FUNCTION
	FULL CLOSE	FULL OPEN	
S1a	---	---	CLOSE LIMIT
S1b	---	---	
S2a	---	---	OPEN LIMIT
S2b	---	---	

--- OPEN CONTACT
 █ CLOSED CONTACT

- MAXIMUM EXTERNAL LOAD**
TERMINALS 21 AND 22 (24 VDC)
- 5W MAX. EXT. LOAD
- CONTACT RATINGS**
S1, S2- 0.5 AMP @ 125 VAC, 2 AMPS @ 30 VDC (RESISTIVE)
MONITOR- 0.5 AMP @ 125 VAC, 2 AMPS @ 30 VDC (RESISTIVE)
R5-R8- 5 AMPS @ 250 VAC OR 30 VDC (RESISTIVE)



DRAWN	DATE	Limitorque Actuation Systems 5114 WOODALL ROAD, LYNCHBURG, VIRGINIA 24506-1318
RLP	10/30/12	
CHECKED	DATE	TITLE
ZKC	11/01/12	MXa WIRING DIAGRAM
APPROVED	DATE	UNIT TYPE
ZKC	11/01/12	MXa
DWG NO	REV	SHEET
WD-MXa-220000-0000	00H	1 OF 1