



NOTES: (SEE INSTALLATION & OPERATION MANUAL LMENIM 2306 FOR DETAILS)  
CIRCUIT SHOWN WITH VALVE IN FULLY CLOSED POSITION AND WITH POWER OFF.

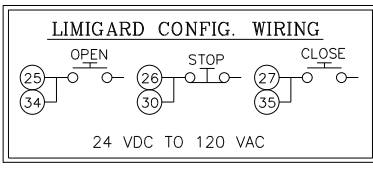
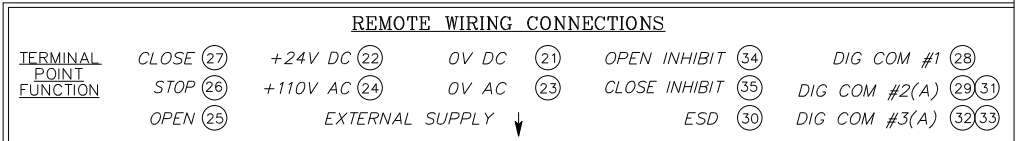
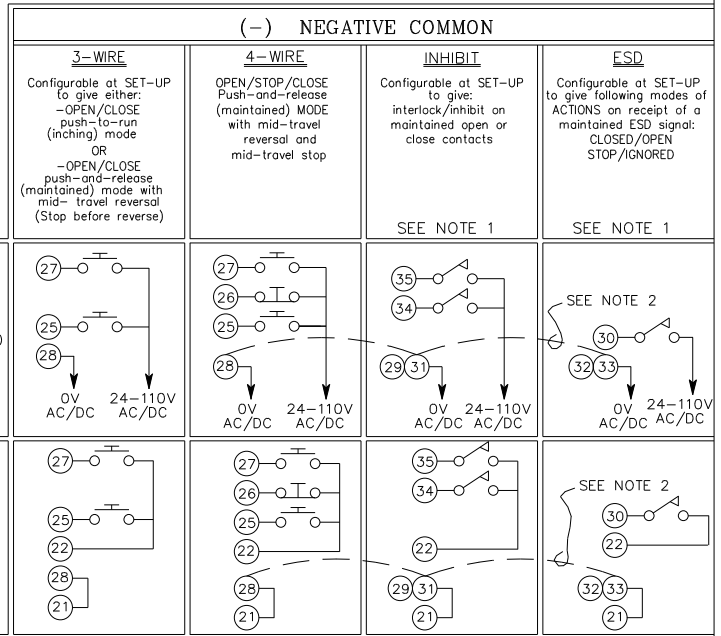
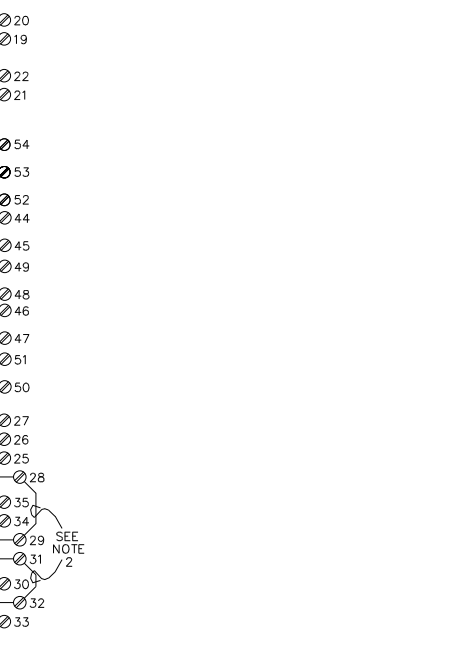
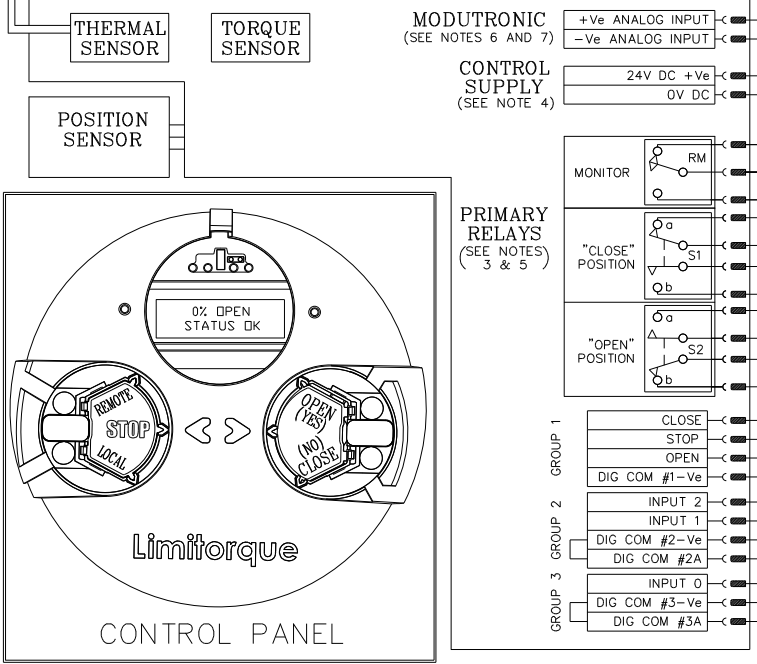
- REMOTE INPUTS**  
SIGNAL THRESHOLD - MINIMUM "ON" 19.2V AC/DC  
MAXIMUM "OFF" 5.0V AC/DC  
MAX LOAD - 10 mA / 110V AC  
2 mA / 24V DC  
REQUIRED CONTROL SIGNAL DURATION = 350ms MIN.  
INPUTS 0,1,2 ARE FIELD CONFIGURABLE FOR CLOSE/OPEN INHIBIT, USER INPUT, OR ESD.  
INPUT 1 MAY ALSO BE CONFIGURED FOR PARTIAL STROKE TEST.  
INPUT 2 MAY ALSO BE CONFIGURED FOR CSE REMOTE SELECTION INDICATION.  
DEFAULT INPUT CONFIGURATION  
INPUT 0 - ESD,  
INPUT 1 - OPEN INHIBIT,  
INPUT 2 - CLOSE INHIBIT.
- REMOTE INPUT JUMPERS**  
JUMPERS CAN BE USER WIRED TO CONNECT DIG COMMONS #1, 2 & 3 (AS NEEDED). THE 3 REMOTE WIRING GROUPS ARE ELECTRICALLY ISOLATED, INTERNALLY. ONLY A SINGLE POWER SOURCE MAY BE USED TO POWER ANY ONE GROUP BUT DIFFERENT SOURCES MAY POWER DIFFERENT GROUPS. IF DIFFERENT SOURCES ARE USED, ENSURE THAT THE POLARITIES ARE CORRECT.
- DEFAULT [S] SETTINGS**  
THE DEFAULT OPERATING CONFIGURATION FOR THE "S" OUTPUTS ARE SHOWN IN THE TABLE BELOW. THE CONTACT STATES SHOWN IN THE SCHEMATIC REPRESENT A FULLY CLOSED VALVE. SEE OPERATION MANUAL FOR ALTERNATE CONFIGURATIONS.

| OUTPUT SWITCH | VALVE POSITION |           | FUNCTION    |
|---------------|----------------|-----------|-------------|
|               | FULL CLOSE     | FULL OPEN |             |
| S1a           | —              | —         | CLOSE LIMIT |
| S1b           | —              | —         |             |
| S2a           | —              | —         |             |
| S2b           | —              | —         | OPEN LIMIT  |

— OPEN CONTACT  
— CLOSED CONTACT

- MAXIMUM EXTERNAL LOAD**  
TERMINALS 21 AND 22 (24 VDC)  
- 5W MAX. EXT. LOAD
- CONTACT RATINGS**  
S1, S2- 0.5 AMP @ 125 VAC, 2 AMPS @ 30 VDC (RESISTIVE).  
MONITOR- 0.5 AMP @ 125 VAC, 2 AMPS @ 30 VDC (RESISTIVE).
- COMMAND PRIORITY**  
PLEASE SEE INSTALLATION AND OPERATION MANUAL LMENIM 2306 FOR NETWORK COMMAND PRIORITIES.

- INPUT LOADS**  
IMPEDANCE = 150 OHMS  
CAPACITANCE = 0.1 uF 30%  
STANDARD SIGNAL: 4-20 mA



|          |          |  |
|----------|----------|--|
| DRAWN    | DATE     | Limitorque Actuation Systems<br>5114 WOODALL ROAD, LYNCHBURG, VIRGINIA 24506-1318          |
| RLP      | 10/30/12 |  |
| CHECKED  | DATE     | TITLE  |
| ZKC      | 11/01/12 | MXa WIRING DIAGRAM   |
| APPROVED | DATE     | Modutronic<br>No Analog<br>Single-Phase<br>OS, (2) 2A, (1) 2A monitor relay<br>3Wire/4Wire |
| ZKC      | 11/01/12 | UNIT TYPE: MXa<br>DWG NO: WD-MXa-200100-0000<br>REV: 00H<br>SHEET: 1 OF 1                  |