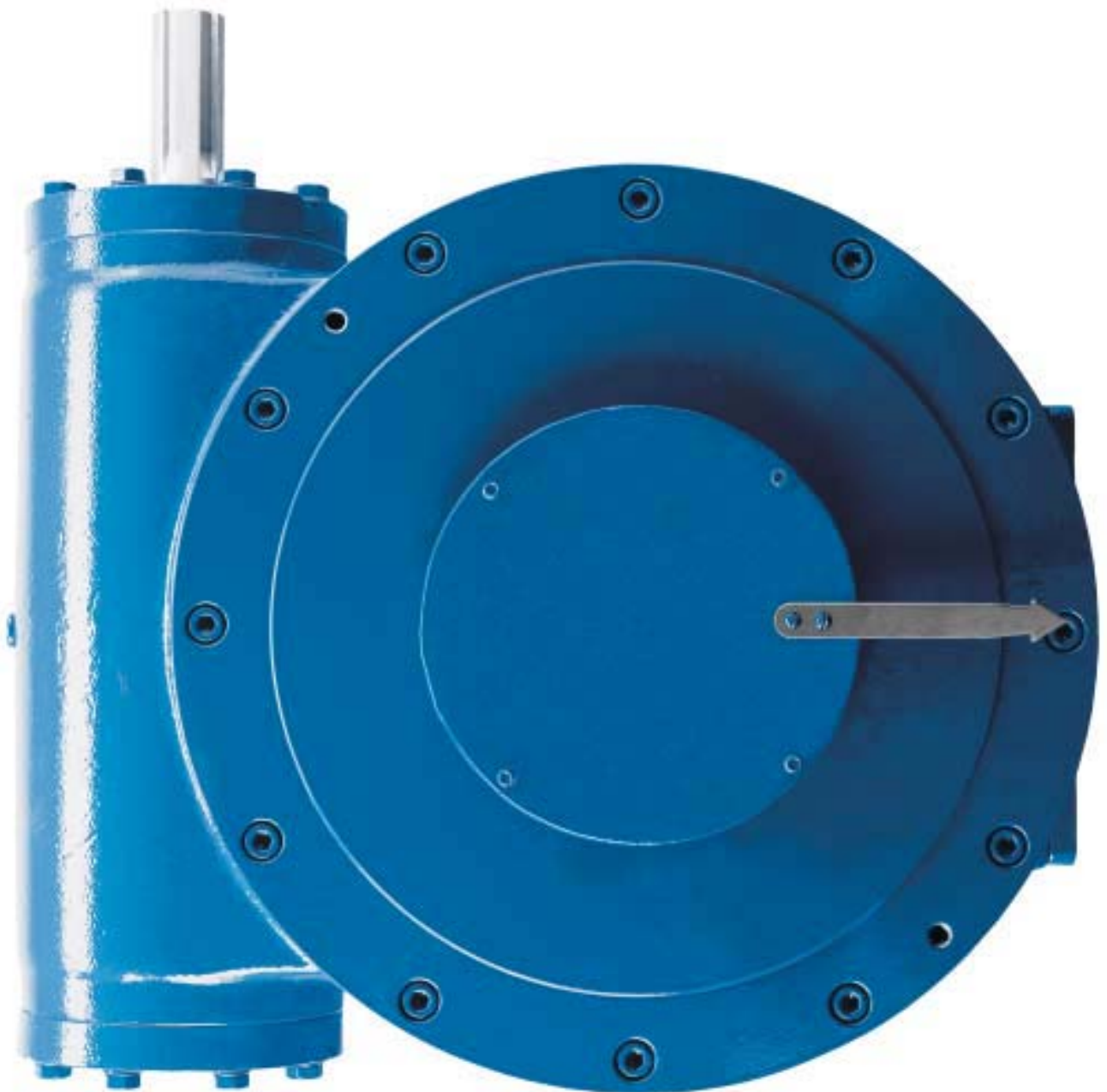


Limitorque Actuation Systems



Limitorque[®]

HBC Series

Worm gear operators proven in the most demanding situations

HBC Series

A worm gear drive capable of manual or motorized operation





Limitorque's **HBC series worm gear operators** excel in diverse applications. Their dependability has been proven in the most demanding situations, ranging from nuclear power plants, to large damper operations, to power plant flue gas desulphurization. Equipped with a handwheel, the HBC can be used to manually operate butterfly, plug, and ball valves. Combined with a Limitorque electric actuator (such as the SMB, L120, or MX), the HBC provides powerful and responsive motorized operation. These combination actuators provide a wide range of output speeds and output torques to 93,000 ft-lb (126,100 N m). HBC operators feature an optional 360° worm gear for use in guillotine damper and radial gate applications. Whether manual or motorized, depend on the HBC for easy valve control — even in tough installations.

Anatomy of the HBC Series

The HBC manual operator has an alloy steel worm shaft and a bronze worm gear. Buried and submersible operators are equipped with non-corrosive input shafts.

On all operators, except for buried service, a valve position pointer is provided as a standard feature. Handwheels are optional and can be furnished in various sizes.

All operator sizes can be supplied with factory-mounted Limatorque electric valve actuators or can be readily converted to motor operation in the field using Limatorque electric actuators.

The speed of operation for butterfly, plug, or ball valves when motor-operated can be varied over a broad range, limited only by motor speed and available gear ratios.

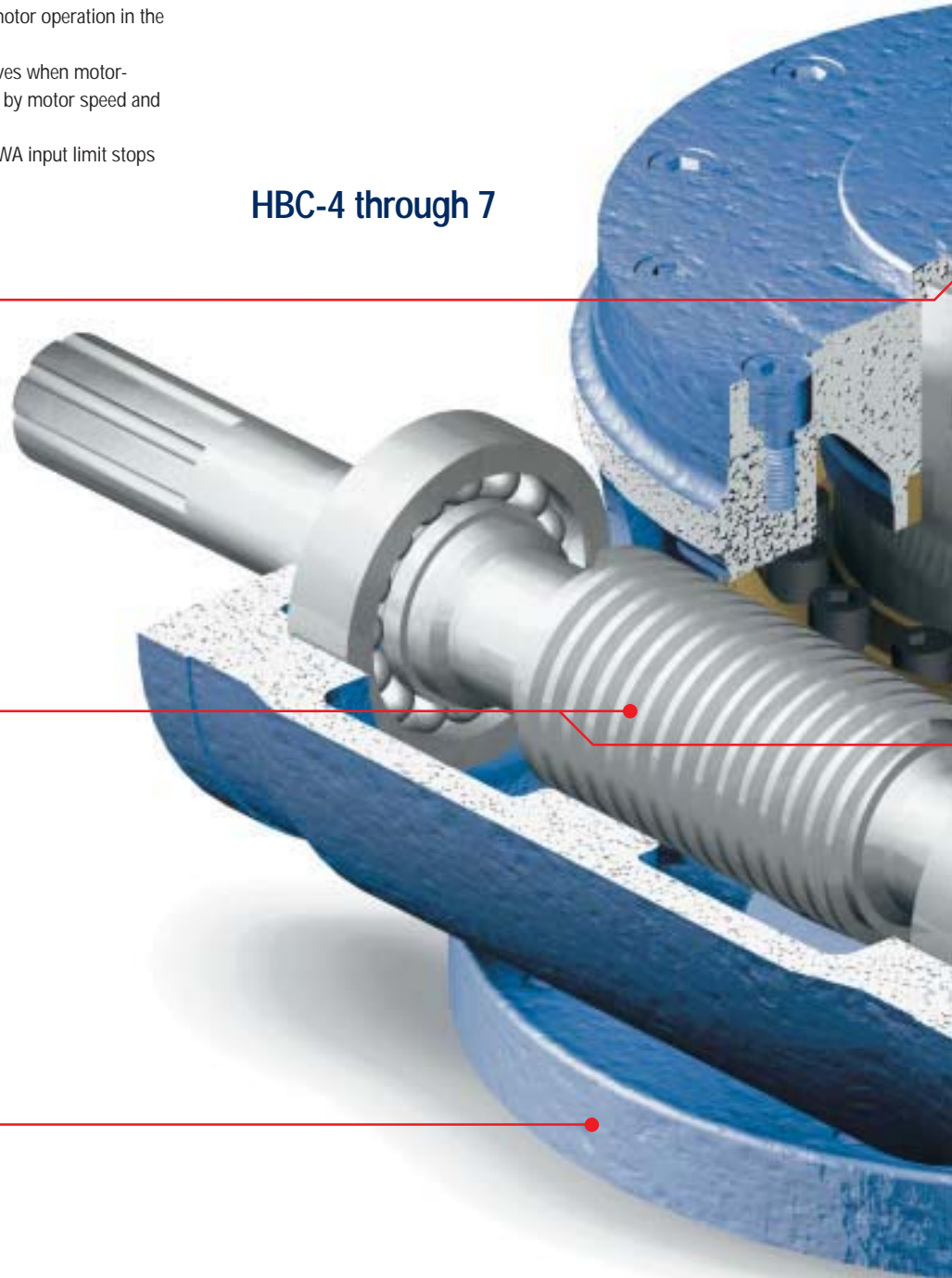
All HBCs are built to meet AWWA requirements. AWWA input limit stops are available for non-motorized applications.

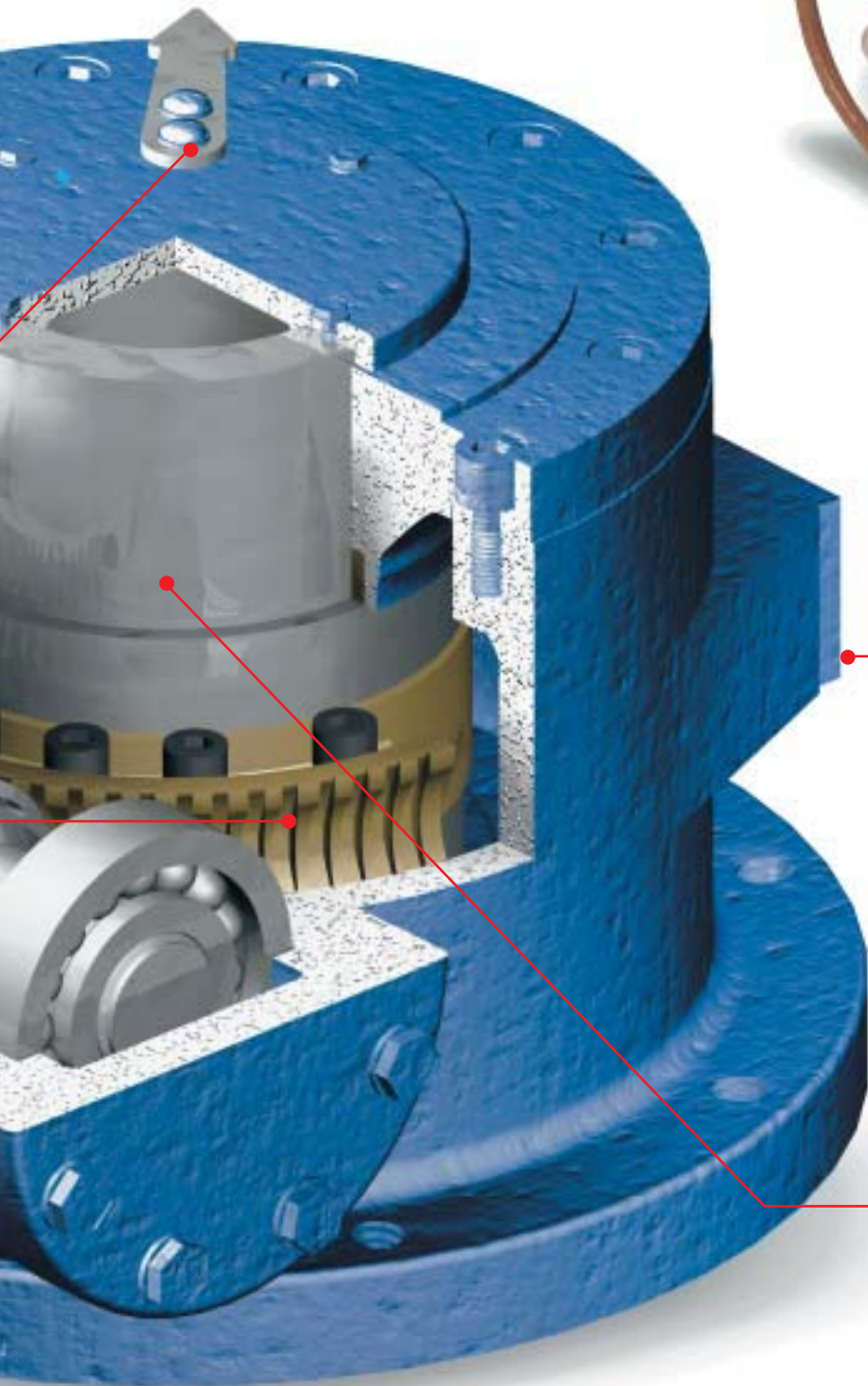
HBC-4 through 7

Valve position pointer makes it easy to check position at a glance.

Bronze worm gear teams with an alloy steel worm shaft for rugged reliability.

Strong cast-iron housing—tough enough to withstand buried and submersible service applications.





HBC-0 through 3
with Optional Handwheel

Rotating components supported by low-friction bearings.



An operator that's proven effective in applications requiring dependable actuation, including:

- Nuclear, fossil, and hydro/power generation
- Petrochemical refining and transmission
- Water and waste treatment

The HBC provides key advantages for quarter-turn actuation

- Enables manual operation
- Adapts multi-turn actuators to quarter-turn applications
- Covers a wide variety of output speeds and torques

Spur gear attachments increase your options

The HBC can be equipped with an optional spur gear attachment to further reduce input torque requirements—making it possible to operate even high-torque valves with a handwheel. Motorized applications can also incorporate spur gear attachments to reduce motor power requirements, allowing the use of smaller, less-costly motors to actuate the valve.

To achieve specific operating/ stroke times, please inquire about alternate spur gear ratios that are available for many larger valve applications.

Expand control capabilities with motorized operation

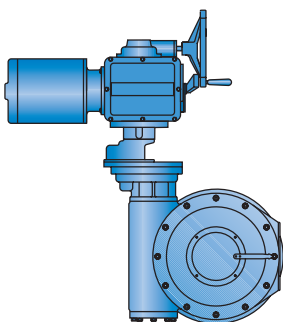
The HBC can quickly handle valve positioning and modulating tasks when matched with a Limitorque electric actuator, such as the L120, SMB or MX. (See diagrams below.)

And while the HBC is used primarily in quarter-turn applications, the motorized configuration allows it to effectively operate multi-turn devices such as guillotine dampers and radial gates.

Combines with Limitorque electric actuators for enhanced capabilities:

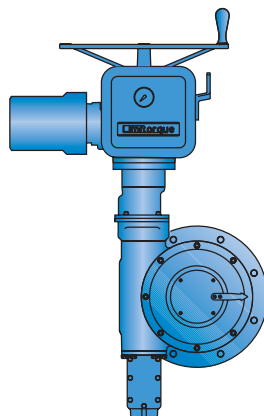
HBC-5/SGA/SMB-00

(All SMB actuators can be mounted to the HBC manual operators.)



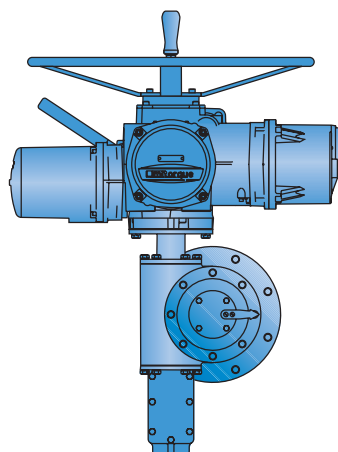
HBC-3/SGA/L120-20

(All L120 actuators can be mounted to the HBC manual operators.)



HBC-3/MX-10

(All MX actuators can be mounted to the HBC manual operators.)

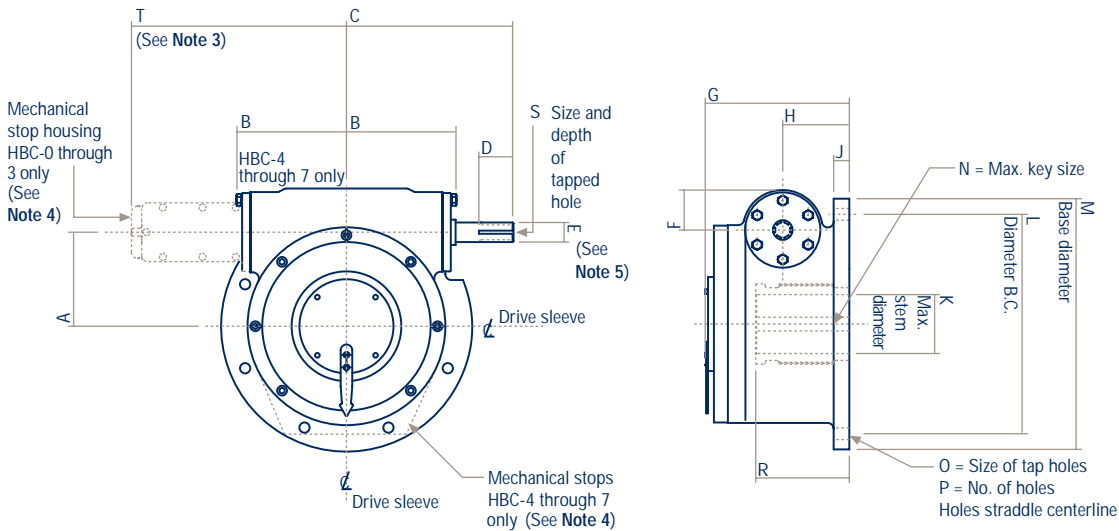


HBC-0 through 7 Standard Operator Dimensions

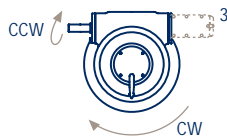
Top View

Side View

Assembly position B (CW input producing CW output) (See Note 1)



Alternate assembly position A (CCW input producing CW output) (See Notes 2 and 3)



- Note 1: Position A is standard for HBC-7 due to left-hand gearing.
- Note 2: See certification sheet if position A is supplied.
- Note 3: Mechanical stop housing HBC-0 through 3 only.
- Note 4: External stops on worm shaft on HBC-0, 1, 2 and 3 only.
HBC-4, 5, 6 and 7 have stops on drive sleeve.
- Note 5: See input shaft spline chart on page 10.

Inches

	A	B	C	D	E ⁵	F	G	H	J	K	L	M	N	O	P	R	S	T
HBC-0	2.5	4.6	7.1	1.6	1.0	2.1	6.8	3.0	0.8	1.50	8.25	9.5	3/8 x 1/4	1/2-13	8	3.1	3/8-16 x 0.8	9.9
HBC-1	3.5	5.4	8.6	2.0	1.25	2.5	8.1	3.6	0.8	1.88	10.00	11.4	1/2 x 3/8	5/8-11	8	4.4	3/8-16 x 0.8	11.9
HBC-2	4.3	5.9	9.3	2.0	1.25	2.7	8.4	3.8	1.0	2.88	11.75	13.5	3/4 x 1/2	3/4-10	8	5.3	3/8-16 x 0.8	12.4
HBC-3	6.0	7.3	10.6	2.0	1.25	2.7	9.6	4.1	1.0	3.75	14.00	16.0	7/8 x 5/8	3/4-10	8	6.0	3/8-16 x 0.8	13.8
HBC-4	7.8	9.3	13.3	3.0	1.75	3.9	10.8	4.8	1.0	4.25	16.00	18.8	1 x 3/4	3/4-10	8	7.8	3/8-16 x 0.8	-
HBC-5	9.8	10.2	14.3	3.0	1.75	3.9	11.6	5.0	1.0	6.50	18.38	21.0	1 1/2 x 1	3/4-10	8	8.8	3/8-16 x 0.8	-
HBC-6	13.0	13.4	18.8	4.0	2.415	4.5	13.8	6.5	1.8	7.50	23.00	26.3	1 3/4 x 1 1/4	1 1/4-7	8	10.5	1/2-13 x 0.8	-
HBC-7/7M	16.0	15.1	19.3	4.0	2.75	5.4	14.1	6.3	2.5	9.00	29.00	31.8	1 3/4 x 1 1/4	1 1/4-7	8	8.9	1/2-13 x 1	-

Millimeters

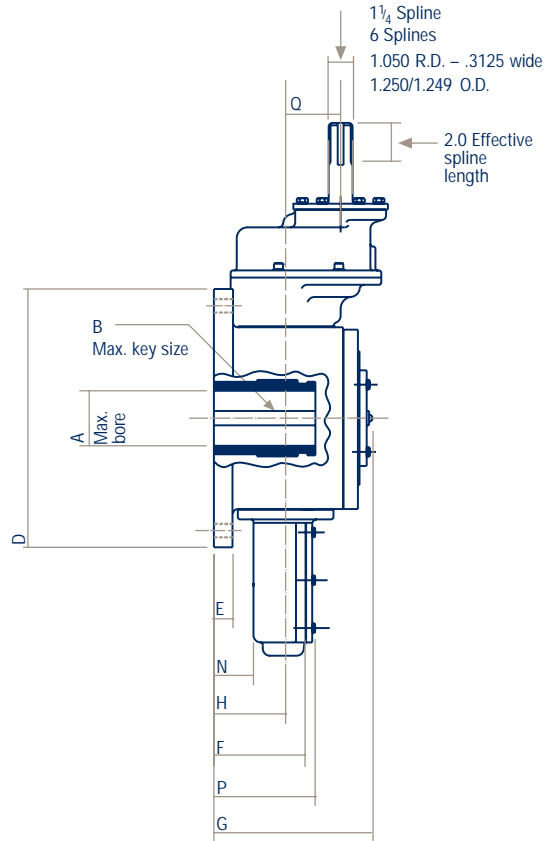
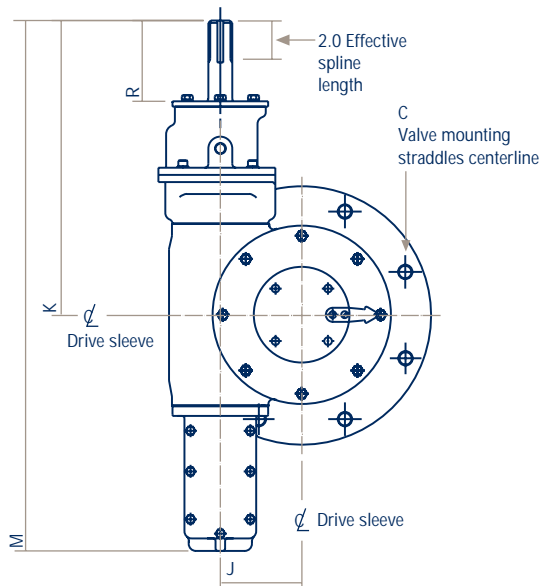
	A	B	C	D	E ⁵	F	G	H	J	K	L	M	N	O	P	R	S	T
HBC-0	64	118	180	41	25	52	173	76	19	38	210	241	10 x 8	1/2-13	8	79	3/8-16 x 0.8	252
HBC-1	89	138	219	51	32	64	205	92	19	48	254	289	14 x 9	5/8-11	8	111	3/8-16 x 0.8	302
HBC-2	108	151	235	51	32	68	214	95	25	73	299	343	20 x 12	3/4-10	8	134	3/8-16 x 0.8	314
HBC-3	152	186	270	51	32	68	243	105	25	95	356	406	25 x 14	3/4-10	8	152	3/8-16 x 0.8	349
HBC-4	197	237	337	76	45	98	275	121	25	108	406	476	28 x 16	3/4-10	8	197	3/8-16 x 0.8	-
HBC-5	248	259	362	76	45	98	294	127	25	165	467	533	40 x 22	3/4-10	8	222	3/8-16 x 0.8	-
HBC-6	330	340	476	102	61	114	351	165	45	191	584	667	45 x 25	1 1/4-7	8	267	1/2-13 x 0.8	-
HBC-7/7M	406	384	489	102	70	137	359	159	64	229	737	810	50 x 28	1 1/4-7	8	225	1/2-13 x 1	-

HBC-1 through 3 with Optional Spur Gear Attachment

Top View

Side View

Position B (CW input producing CW output)



Alternate assembly position A (CCW input producing CW output) (See Note 1)



Note 1: See certification sheet if position A is supplied.

Inches

	SGA	A	B	C	D	E	F	G	H	J	K	M	N	P	Q	R
HBC-1	2.86:1	1.88	1/2 x 3/8 x 4 3/8	(8) 5/8"-11 x 0.8" DP on 10.0" BC	11.4	0.8	4.4	8.1	3.6	3.5	14.9	26.2	1.9	5.1	2.9	4.2
HBC-2	2.86:1	2.88	3/4 x 1/2 x 5 1/4	(8) 3/4"-10 x 1.0" DP on 11.75" BC	13.5	1.0	5.3	8.4	3.8	4.3	15.4	27.8	2.1	5.3	2.9	4.2
HBC-3	2.86:1	3.75	7/8 x 5/8 x 6	(8) 3/4"-10 x 1.0" DP on 14.0" BC	16.0	1.0	6.0	9.6	4.1	6.0	16.8	30.6	2.4	5.6	2.9	4.2

Millimeters

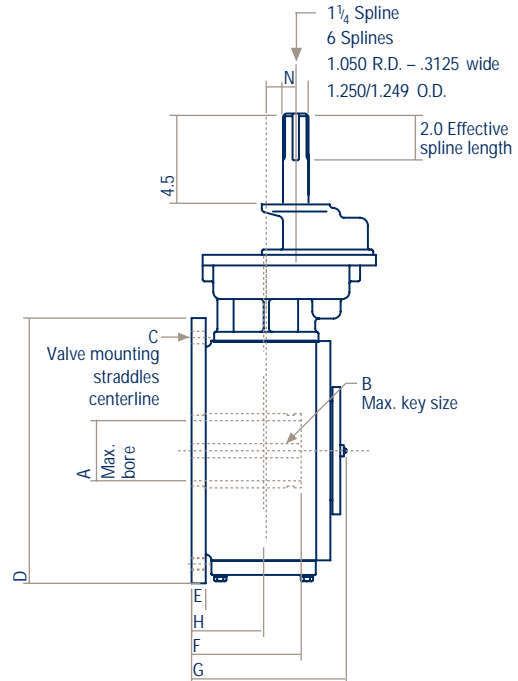
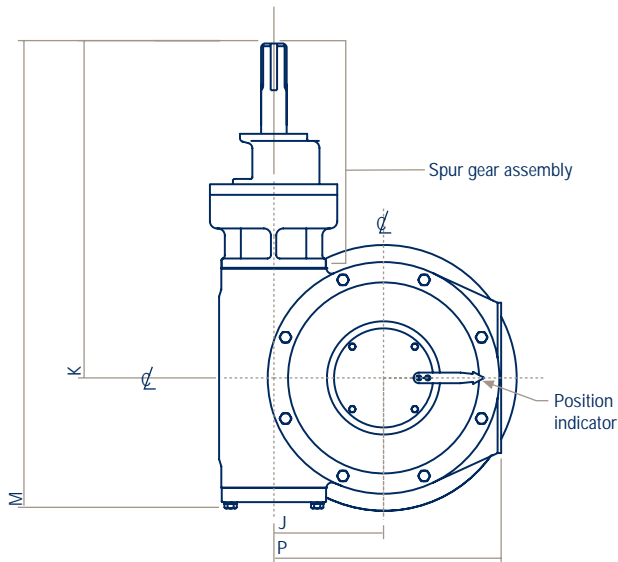
	SGA	A	B	C	D	E	F	G	H	J	K	M	N	P	Q	R
HBC-1	2.86:1	47.8	13 x 10 x 111	(8) 5/8"-11 x 0.8" DP on 10.0" BC	282	19	112	206	91	89	378	665	48	130	74	107
HBC-2	2.86:1	73.2	19 x 13 x 133	(8) 3/4"-10 x 1.0" DP on 11.75" BC	343	25.4	135	213	97	109	391	706	53.3	135	74	107
HBC-3	2.86:1	95.3	22 x 16 x 152	(8) 3/4"-10 x 1.0" DP on 14.0" BC	406	25.4	152	244	104	152	427	777	61	142	74	107

HBC-4 through 7 with Optional Spur Gear Attachment

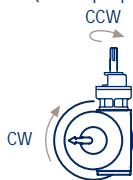
Top View

Side View

Position B (CW input producing CW output) (See Note 1)



Alternate assembly position A (CCW input producing CW output) (See Note 2)



Note 1: Position A is standard for HBC-7M with 19.2:1 SGA (CW input, CW output).

Note 2: See certification sheet if position A is supplied.

Inches

	SGA	A	B	C	D	E	F	G	H	J	K	M	N	P
HBC-4	6:1	4.29	1 x 3/4 x 7 3/4	(8) 3/4"-10 x 1.3" DP on 16.0" BC	18.8	1.0	7.8	10.9	4.8	7.8	22.2	31.4	2.0	16.1
HBC-5	6:1	6.50	1 1/2 x 1 x 8 3/4	(8) 3/4"-10 x 1.3" DP on 18.38" BC	21.0	1.0	8.8	11.6	5.0	9.8	23.1	33.2	2.0	19.8
HBC-6	13.6:1	7.52	1 3/4 x 1 1/4 x 10 1/2	(8) 1 1/4"-7 x 1.8" DP on 23.0" BC	26.3	1.8	10.5	13.9	6.5	13.0	30.1	39.3	0.8	26.4
HBC-7/7M	19.2:1	9.02	2 1/2 x 1 3/4 x 11	(8) 1 1/4"-7 x 1.8" DP on 29.0" BC	31.9	2.5	N/A ³	14.2	6.3	16.0	31.4	46.4	0.8	29.3

Millimeters

	SGA	A	B	C	D	E	F	G	H	J	K	M	N	P
HBC-4	6:1	109	28 x 16 x 197	(8) 3/4"-10 x 1.3" DP on 16.0" BC	478	25	198	277	122	198	564	798	51	409
HBC-5	6:1	165	40 x 22 x 222	(8) 3/4"-10 x 1.3" DP on 18.38" BC	533	25	224	295	127	249	587	843	51	503
HBC-6	13.6:1	191	45 x 25 x 267	(8) 1 1/4"-7 x 1.8" DP on 23.0" BC	668	46	267	353	165	330	765	998	20	671
HBC-7/7M	19.2:1	229	50 x 28 x 280	(8) 1 1/4"-7 x 1.8" DP on 29.0" BC	810	64	N/A ³	361	160	406	798	1179	61	744

Note 3: Splined adapters are not available on HBC-7 or 7M (bore and keyway machined in drive sleeve).

General Specifications

Operator/SGA		Efficiencies Start & Run	Output Torque Rating		Input Torque for Output Torque Rating		Maximum One-time Input Torque	
Ratio	ft-lb		N m	ft-lb	N m	ft-lb	N m	
HBC-0	71	.30	445	605	21	28	100	136
HBC-1	70	.30	1,300	1,764	62	84	600	814
HBC-1/S2.86	200	.27	1,300	1,764	24	33	230	312
HBC-2	70	.30	2,200	2,985	105	142	675	915
HBC-2/S2.86	200	.27	2,200	2,985	41	56	260	353
HBC-3	70	.30	5,650	7,667	269	365	510	692
HBC-3/S2.86	200	.27	5,650	7,667	105	142	200	271
HBC-4	60	.30	12,800	17,370	711	964	1,290	1,749
HBC-4/S6	360	.27	12,800	17,370	132	179	240	325
HBC-5	65	.30	19,583	26,575	1,004	1,361	1,830	2,481
HBC-5/S6	390	.27	19,583	26,575	186	252	340	461
HBC-6	66	.30	46,000	62,425	2,323	3,150	3,900	5,288
HBC-6/S13.6	898	.25	46,000	62,425	205	278	319	433
HBC-7	69	.30	63,333	85,945	3,060	4,149	6,600	8,950
HBC-7/S19.2	1,325	.25	63,333	85,945	191	259	375	509
HBC-7M	50	.30	93,000	126,204	6,200	8,407	10,000	13,560
HBC-7M/S19.2	960	.25	93,000	126,204	388	526	613	831

Input Shaft Splines

HBC-0	15 involute splines $\frac{16}{32}$ D.P.
HBC-1, 2, 3	6 splines, 1.050 R.D. – 0.3125 wide, 1.250 O.D.
HBC-4, 5	6 splines, 1.525 R.D. – 0.435 wide, 1.750 O.D.
HBC-6	28 involute splines, $\frac{17}{24}$ D.P. 2.333 P.D.
HBC-7	Keyway $\frac{5}{8}$ x $\frac{5}{16}$ x 4 long

Approximate Weights

Operator/SGA	Standard Operator		With AWWA Input Stop	
	lb.	kg	lb.	kg
HBC-0	65	30	95	43
HBC-1	120	54	150	68
HBC-1/S2.86	160	73	190	86
HBC-2	150	68	180	82
HBC-2/S2.86	190	86	220	100
HBC-3	230	104	260	118
HBC-3/S2.86	270	123	300	136
HBC-4	465	211	495	225
HBC-4/S6	570	259	600	273
HBC-5	560	254	590	268
HBC-5/S6	665	302	695	316
HBC-6	1,600	726	1,630	741
HBC-6/S13.6	1,710	776	1,740	791
HBC-7	2,100	953	2,130	968
HBC-7/S19.2	2,375	1,078	2,405	1,093
HBC-7M	2,100	953	2,130	968
HBC-7M/S19.2	2,375	1,078	2,405	1,093



Acrodyne Pty Ltd | Call 1300 422 882
ABN 22 006 309 753

www.acrodyne.com.au

