

PEAKTRONICS

The Peaktronics RCT-100 Repeat Cycle Timer is a compact module that extends the operating time of AC actuators by pulsing the motor on and off. Extending the cycle time of an actuator can avoid problems associated with water hammer and control system instabilities.

The RCT-100 has only two connections and can be easily added to new or existing installations. The unit is merely connected in-line with one of the motor wires, as shown in the wiring diagram below, using the two position screw terminal on the unit. An on-board fuse limits the load current to 6.3A at 60°C.

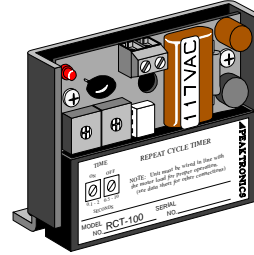
Connecting an RCT-100 in series with the *open* wire will allow the unit to only control the open cycle time. Alternatively, the unit can be connected to the *close* wire to control the close cycle only, or a second unit could be connected to the *close* wire to separately control the close and open cycles. A single RCT-100 unit could be connected to the motor neutral wire that would control both close and open cycles equally.

The ON time is adjustable from 0.1 to 2 seconds, and the OFF time is adjustable from 0.5 to 10 seconds. The on-board LED indicator aids in setting the ON/OFF times by turning on and off with the load.

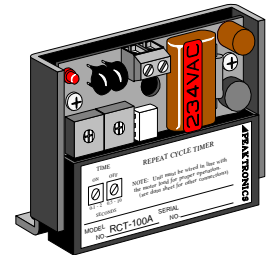
The unit can be used with Peaktronics AMC-100/101/102 AC motor controllers in process control applications, or it can be used as a stand alone unit in ON/OFF applications. The unit draws power from a small trickle current through the motor while it is off. In applications that use an optional brake, the trickle current may not allow the brake to engage. In these cases, adding the TVS device (Transient Voltage Suppressor) supplied with the unit in series with the brake should eliminate this problem. If the trickle current path is broken by a dry contact (limit switch, ON/OFF switch, etc.) - the LED indicator reacts by slowly flashing and then fading out.

RCT-100

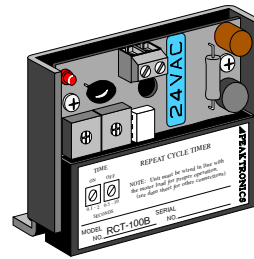
Repeat Cycle Timer



RCT-100

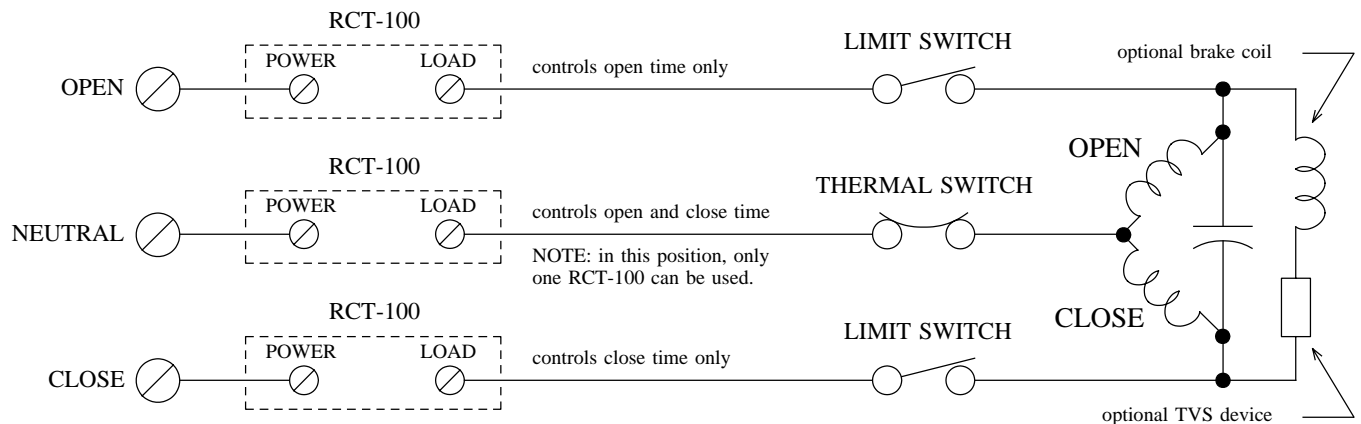


RCT-100A



RCT-100B

The unit is available in versions for various power sources (50/60 Hz) and has a minimum motor load requirement due to its trickle current: RCT-100 (117VAC $\pm 10\%$, 0.2A minimum load), RCT-100A (234VAC $\pm 10\%$, 0.1A minimum load), and RCT-100B (24VAC $\pm 10\%$, 1A minimum load). The encapsulated enclosure with wrap around bracket makes it rugged and easy to mount to the mid-section of an actuator using the two mounting legs located on the back side of the unit.



OUTLINE

RCT-100	117VAC
RCT-100A	234VAC
RCT-100B	24VAC

