

▲ PEAKTRONICS

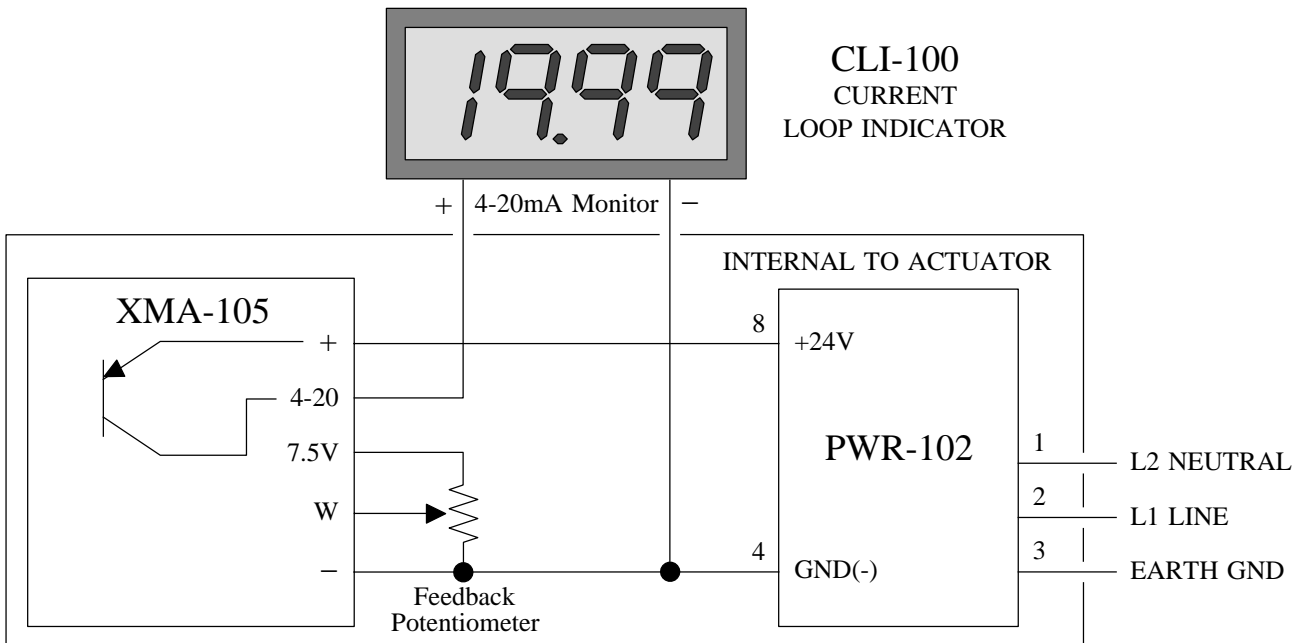
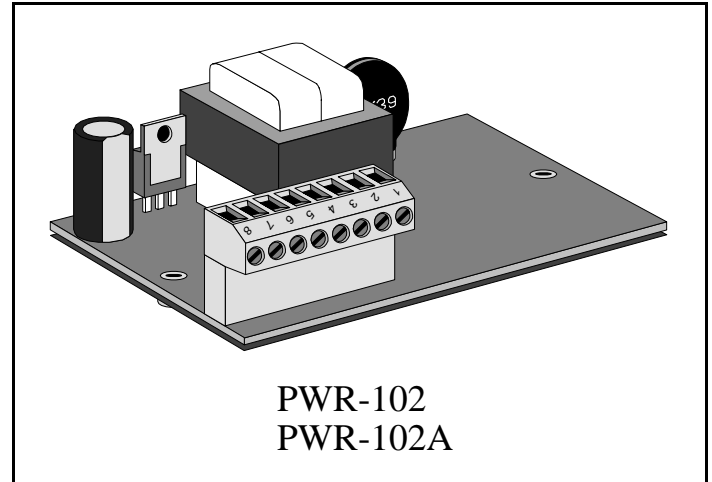
PWR-102

24VDC Power Supply

The Peaktronics PWR-102 24VDC Power Supply is a general purpose power supply module intended to power up to three 4-20mA current loops. Its compact size allows it to be mounted in a variety of enclosures. The unit is easily mounted with two screws through the on-board standoffs, and the insulating sheet (included with the unit) allows it to be mounted directly to a metal bracket or subpanel.

The PWR-102 is especially useful when used with Peaktronics mounting kits for actuators (shown below). In these applications, the PWR-102 and an XMA-105 Feedback Transmitter can be mounted inside of the actuator. Peaktronics mounting kits provide the hardware for mounting the PWR-102, the XMA-105, and feedback potentiometer into a variety of actuator models.

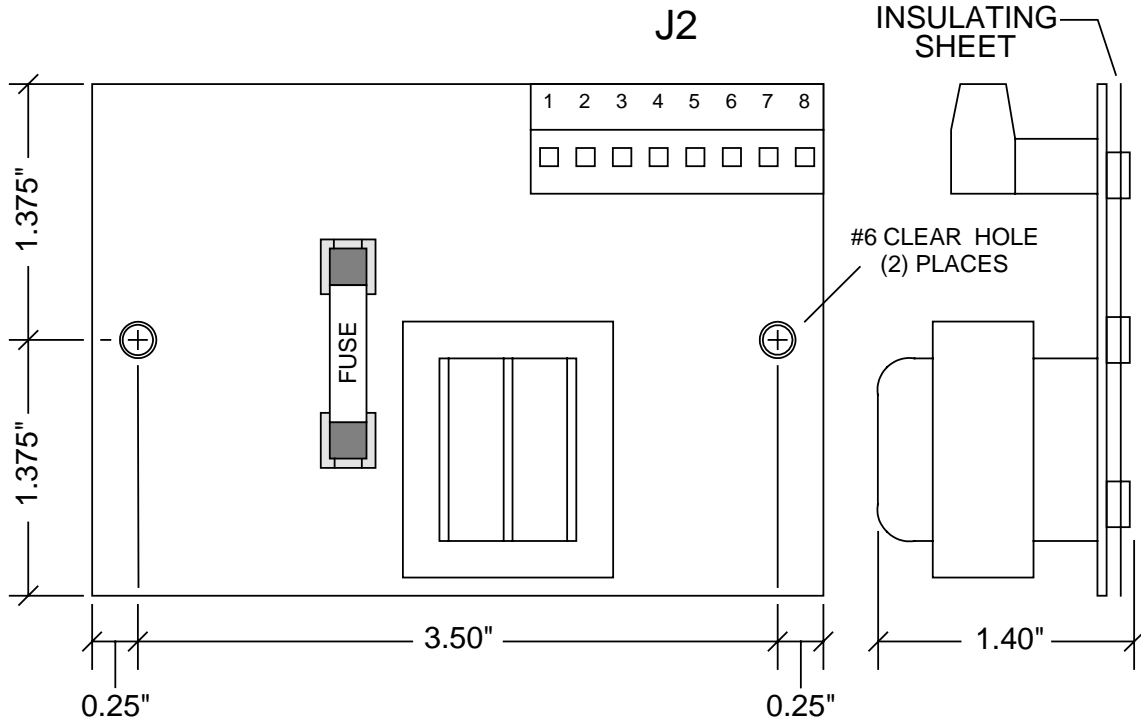
The PWR-102 is designed for use with 117VAC $\pm 10\%$ at 50/60 Hz, while the PWR-102A is intended for use with 234VAC $\pm 10\%$ at 50/60 Hz. Both units are capable of 60mA of output current, and an operating temperature range of 0 to 60 °C.



TYPICAL APPLICATION

PWR-102 117VAC

PWR-102A 234VAC



ELECTRICAL CONNECTIONS

