

▲ PEAKTRONICS

The CLI-100 is a 4-20mA process loop display module with a 2000 count display that can be adjusted to display virtually any range of engineering units. The CLI-100 requires no power connections since it draws its power from the 4-20mA current loop signal. Since the CLI-100 is only connected in series with the current loop, it can be physically mounted in any desired location. The two on-board screw terminals provide for easy wiring and reliable connections.

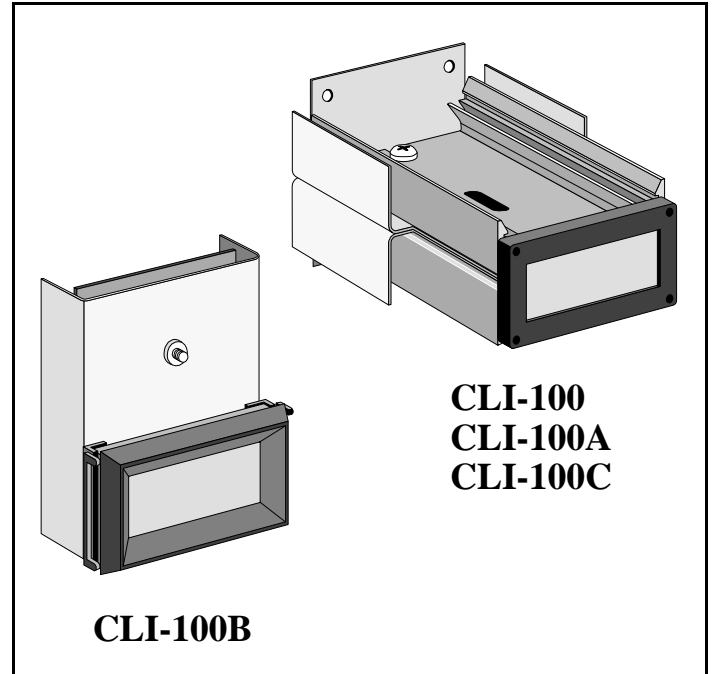
The CLI-100, CLI-100A, and CLI-100C come pre-assembled with a bracket that allows the unit to be installed into an explosion proof housing (such as the EIH-100 or EIH-101). The CLI-100C is a stand alone display unit. The CLI-100 also includes mounting features for a process monitoring module (such as the FVC-100 Frequency-to-Voltage Converter), while the CLI-100A includes mounting features for a 4-20mA transmitter (such as the XMA Series transmitters) - these units come preassembled with the process monitoring module or transmitter (specify when ordering). The CLI-100B is a panel mount version that features a low depth profile.

The units feature a *zero* and *span* adjustment that provide easy calibration. By setting the process loop current to 4.0mA, the *zero* adjustment is used to set the display reading to any desired value from -1999 to 1999. After adjusting the *zero*, set the loop current to 20.0mA and adjust the *span* to achieve the desired reading. The *span* adjustment has a range of 100 to 1999 counts from the *zero* reading.

The units also feature an over range indication (the left most digit will be one while the rest of the display is

CLI-100

Current Loop Indicator



blank), selectable decimal point, and reverse acting display - see tables for details. When selected, the reverse acting display is calibrated in the same manner as described above except that the reading will decrease as the loop current is increased.

SPECIFICATIONS

INPUT RATINGS

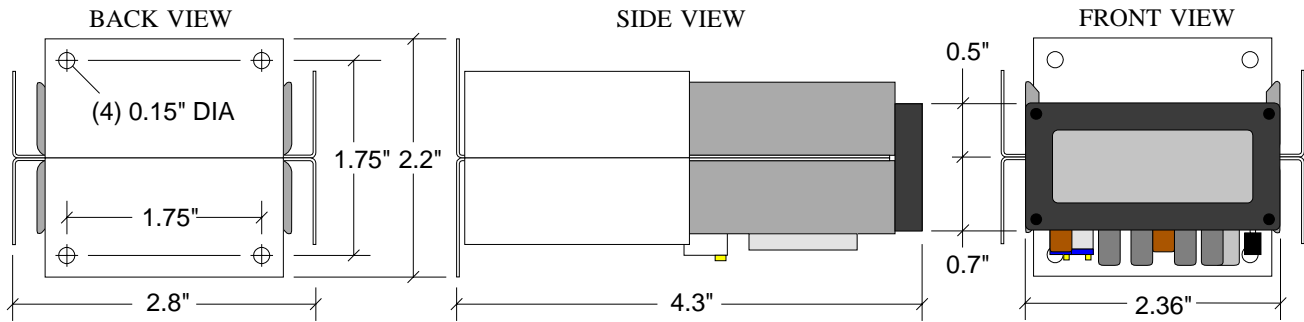
Operating Current Range	4.0 to 20.0 mA
Loop Voltage Drop, typical	2.2 VDC @ 20.0 mA
Maximum Reverse Voltage	-28 VDC
Over Current Protection, typical	24mA (28VDC maximum)

DISPLAY

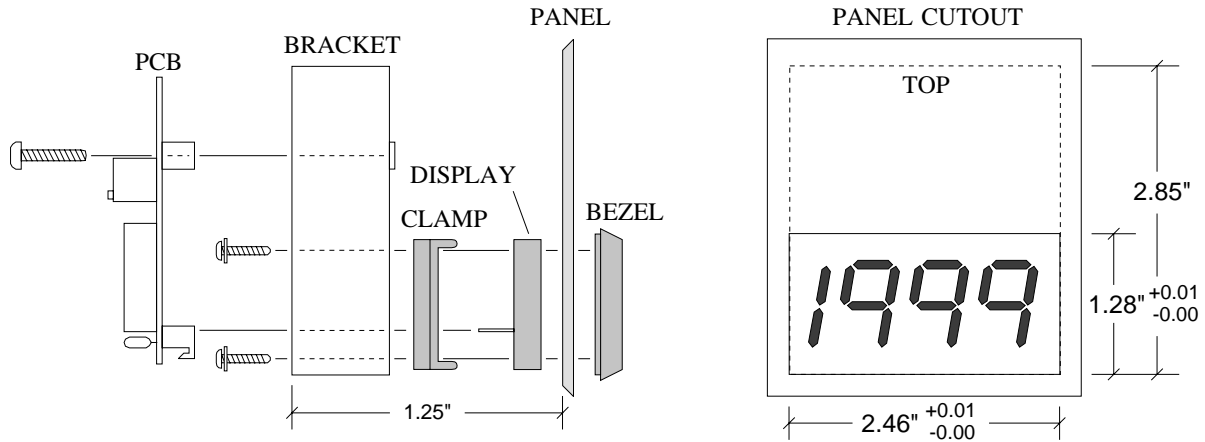
Type	3 1/2 digit LCD, 0.5" high digits
Decimal Point	3 selectable positions
Polarity Indicator	"-" for negative values
Conversion Rate	2.5 readings per second
Linearity	±4 counts

ENVIRONMENTAL

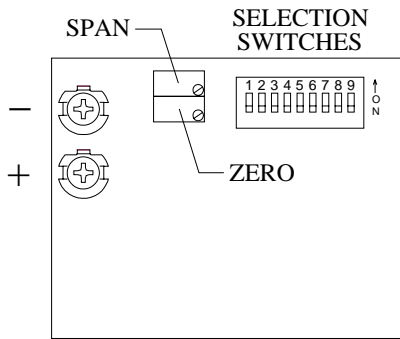
Operating Temperature Range	0 to 60 °C
Relative Humidity, non-condensing	0 to 90 °C



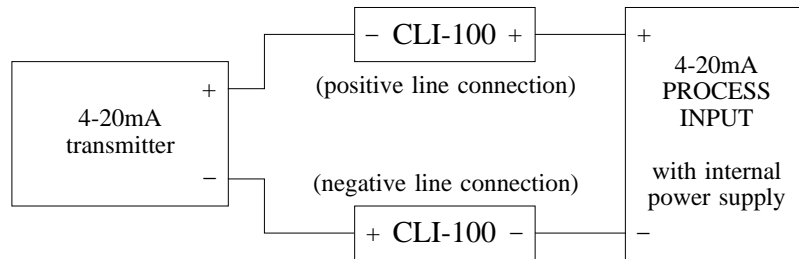
CLI-100 / CLI-100A / CLI-100C



CLI-100B



TYPICAL WIRING



SELECTION SWITCH						TYPICAL ACTION
1	2	3	4	5	6	
ON	OFF	ON	ON	OFF	OFF	4mA → 20mA
ON	ON	ON	ON	OFF	OFF	0 → 1999
OFF	ON	ON	ON	OFF	OFF	-1999 → 0
ON	OFF	OFF	OFF	ON	ON	0 → -1999
OFF	ON	OFF	OFF	ON	ON	1999 → 0

SELECTION SWITCH	DECIMAL POINT
7	199.9
8	19.99
9	1.999