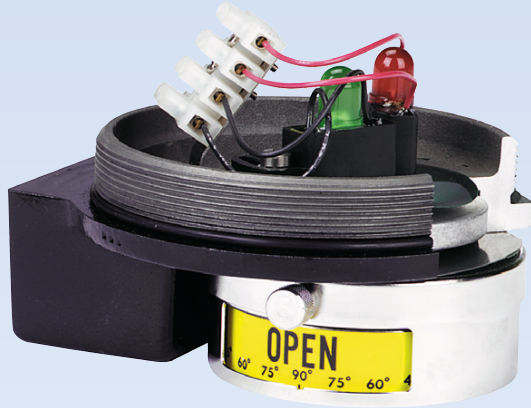
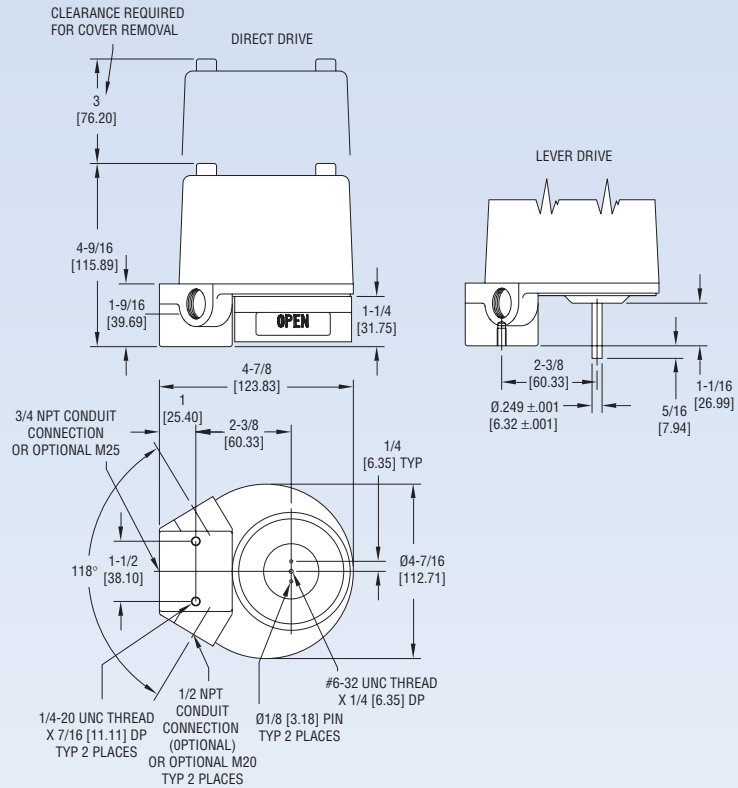


Rotary Position Indicator

Hermetically Sealed Reed Switch, Ideal for Computer Control



Cutaway View Model 62LD0 Shown



U.S. Patent No. 4,831,350

BENEFITS

- Magnetic actuation through a nonferrous wall completely seals the switch compartment for maximum hazard and leak protection, (IP68 submersible).
- Protective circuitry prevents damage to contacts due to capacitive discharges or voltage surges.
- Moving parts, shaft and cams, are eliminated.
- Flexible design allows proximity switch options with or without “Jumbo” LED’s.
- Adjustable stainless steel visual indicator with scale is standard for quarter turn direct drive applications.
- Housing options include 1 or 2 extra conduit entrances for addition of solenoid valve(s).
- Mounting hardware available in plated or stainless steel for your specific requirements includes rotary, linear and Namur mounting hardware.

APPLICATIONS

- Rotary valve actuators and dampers
- Linear valve actuators and cylinders
- Manual valves
- Gear operators
- Positioners

SPECIFICATIONS


- Minimum Rotational Travel:** 45°.
- Maximum Rotational Travel:** 240°.
- Operational Life:** 10,000,000 cycles.
- Temperature Limits:** -65 to 180°F (-54 to 82°C).
- Maximum Steady State Rating:** 0.15 A.
- Maximum Lamp Load:** 10 watts.
- Maximum Voltage Drop Across Switch Elements:** 4.5 volts at 0.15A.
- Weight:** 3 lb (1.5 k) to 6 lb (3.0 k).
- Maximum Altitude:** 2000 m (6065 ft).

See page 4 for other specifications.

Suggested Specification

Position indicators shall be Protected Reed Proximity Model 6XXXXX. The indicator shall include 1(2) switch(es) (with LED’s). The switch(es) shall be SPST(SPDT) proximity rated _____ mA. The coupling shall be direct (lever) drive. Housing material shall be painted aluminum(epoxy coated) with screw-on metal (clear plastic)(low profile) cover. The housing shall include one 3/4” NPT conduit entrance and 0(1)(2) 1/2” NPT conduit entrance(s) and terminal strip. It will be NEMA 4,4X,7,9, UL/CSA certified Class I Groups A,B,C,D Divisions 1and 2 (ATEX Flameproof) (SAA Flameproof). See reverse for detailed specifications and ordering information. Use Proximity part number 6XXXXX.

Specifications and Ordering Information

| | | | | | |
|------------------------------------|--|---|---|---|---------------------------------|
| 6 | Mark 6, Protected Reed | | | | |
| FUNCTION DATA | | | | | |
| 1 | 1 Reed Switch Element with Protective Circuit* | | | | |
| 2 | 2 Reed Switch Elements with Protective Circuits* | | | | |
| SWITCH DATA | | | | | |
| L | SPST Hermetically Sealed Reed with LED, Rated: 0.02A @ 125 VAC (~); 0.02A @ 30 VDC (≡) (NEMA 4, 4X Only)* | | | | |
| P | SPST Hermetically Sealed Reed, Rated: 0.15A @ 125 VAC (~), 0.15A @ 30 VDC (≡), 125 VAC (~) 10W (Lamp)* | | | | |
| Q | SPDT Hermetically Sealed Reed, Rated: 0.15A @ 125 VAC (~), 0.15A @ 30 VDC (≡)* | | | | |
| DRIVING METHOD | | | | | |
| D | Direct Drive, Stainless Steel Visual Indicator Standard* | | | | |
| L | Lever Drive, Shaft Output* | | | | |
| HOUSING MATERIAL AND FINISH | | | | | |
| 0 | Aluminum, Painted Black* | | | | |
| 1 | Aluminum, Painted & White Epoxy with SS Trim* | | | | |
| SPECIAL ENCLOSURE FEATURES | | | | | |
| J1 | Junction Package with One 1/2" Female NPT Conduit Connection and Terminal Strip* | | | | |
| J2 | Junction Package with Two 1/2" Female NPT Conduit Connection and Terminal Strip* | | | | |
| S | SAA Listed Flameproof* | | | | |
| SV1 | 1 Attached Solenoid Valve (Must be ordered with J1 option)* | | | | |
| SV2 | 2 Attached Solenoid Valves (Must be ordered with J2 option)* | | | | |
| MT | Metric Threaded Conduit, M25 (M20 for optional J1 and J2 Connection)* | | | | |
| B | Directive 94/9/EC, KEMA 03 ATEX 2391,  II 2 G EEx d IIC T6 (-20°C ≤ Tamb ≤ 70°C) (T5 (-20°C ≤ Tamb ≤ 80°C) optional wording)* | | | | |
| 6 | 2 | Q | D | 0 | EXAMPLE OF POPULAR MODEL NUMBER |

*Junction package available. Consult factory for solenoid valve packages.

SPECIFICATIONS SUBJECT TO CHANGE WITHOUT NOTICE.

NOTE: When ordering mounting kits, please supply make and model number of your actuator or valve.



Class I, Groups A,B,C,D,
Class II, Groups E,F,G,
Divisions 1 and 2



Designed to meet type 1,2,3,3R,3S,4,4X,6,7,9,12,13



II 2 G EEx d IIC T6 or T5 (Flameproof - B; Special Enclosure Features) Ingress Protection Certified IP68



Class I, Groups A,B,C,D,
Class II, Groups E,F,G,
Divisions 1 and 2



Certified EX d IIC T6 IP68 (15 meters)